



70 ft²

12' SAILING SKIFF
FOR
RICHARD MILES
PORT TOWNSEND SHIPWRIGHT'S CO-OP
DESIGN BY ANTONIO SALGUERO
12.8.04
SCALE: 1/2" = 1'

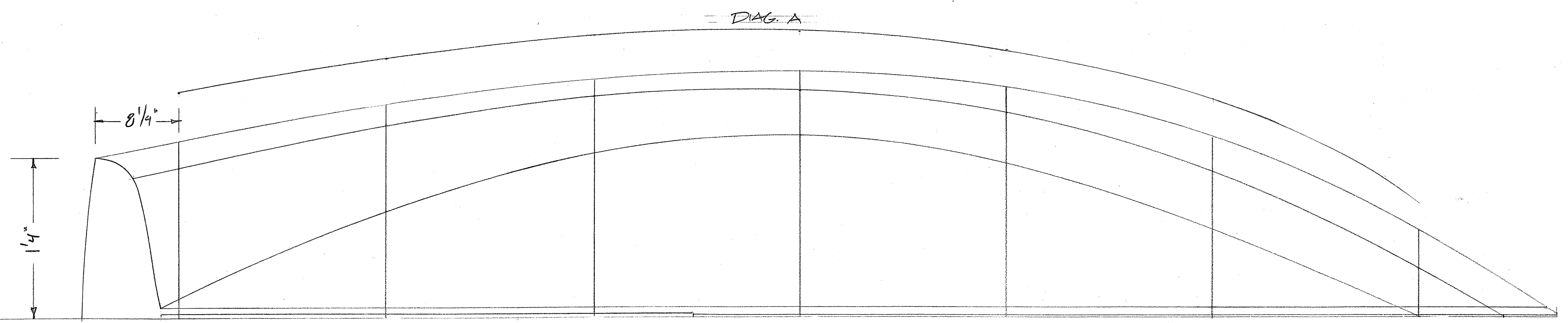
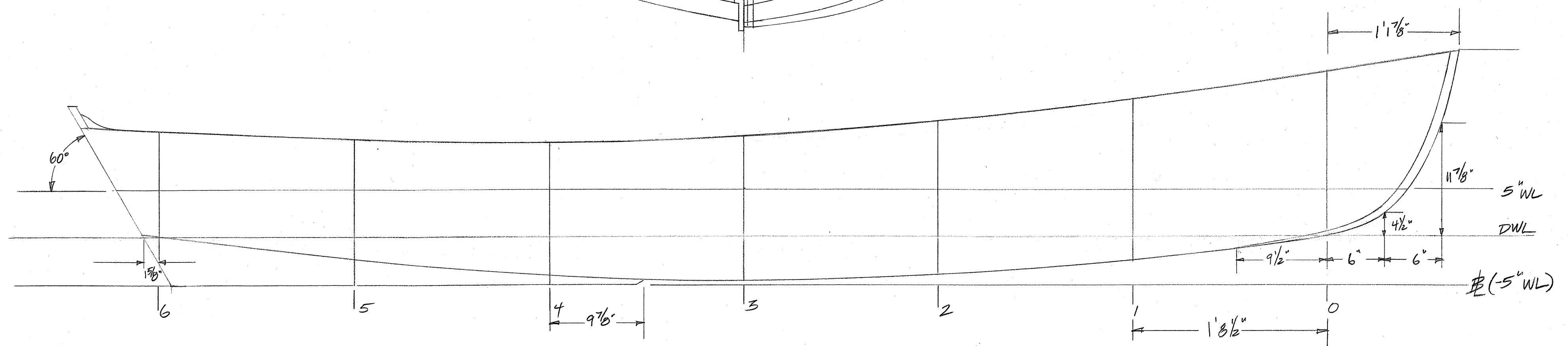
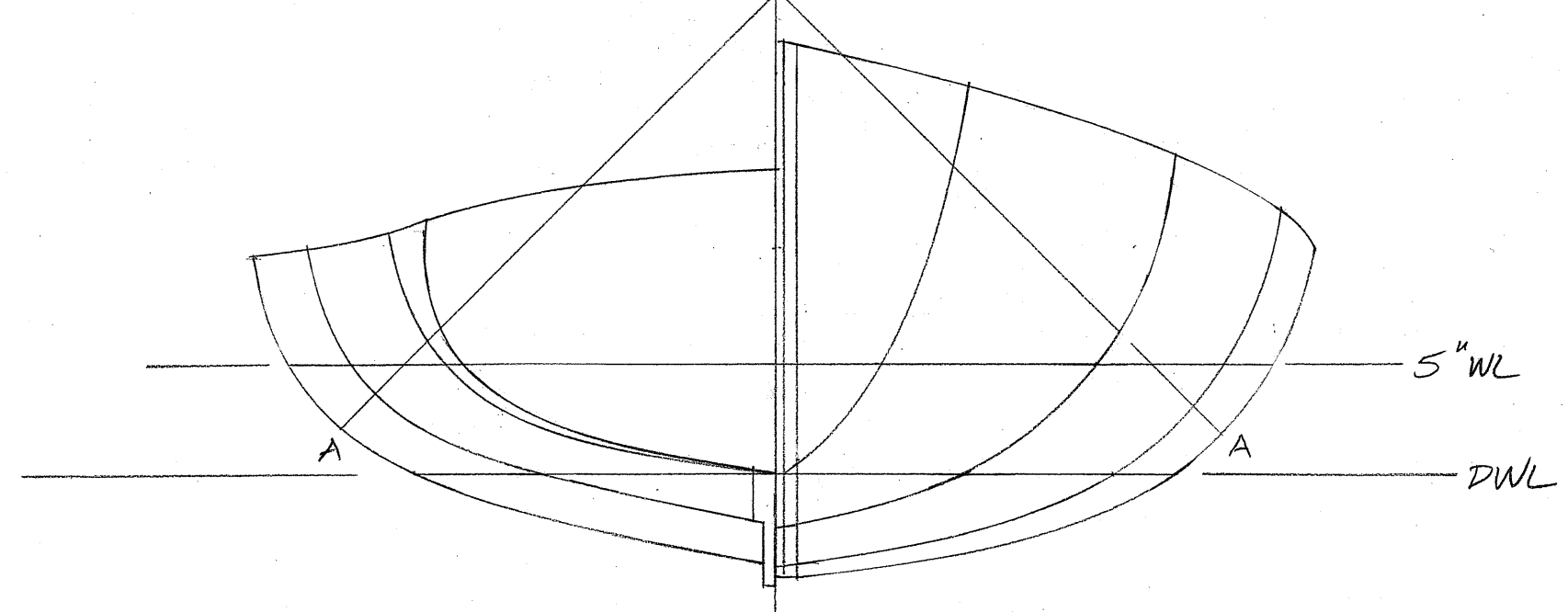
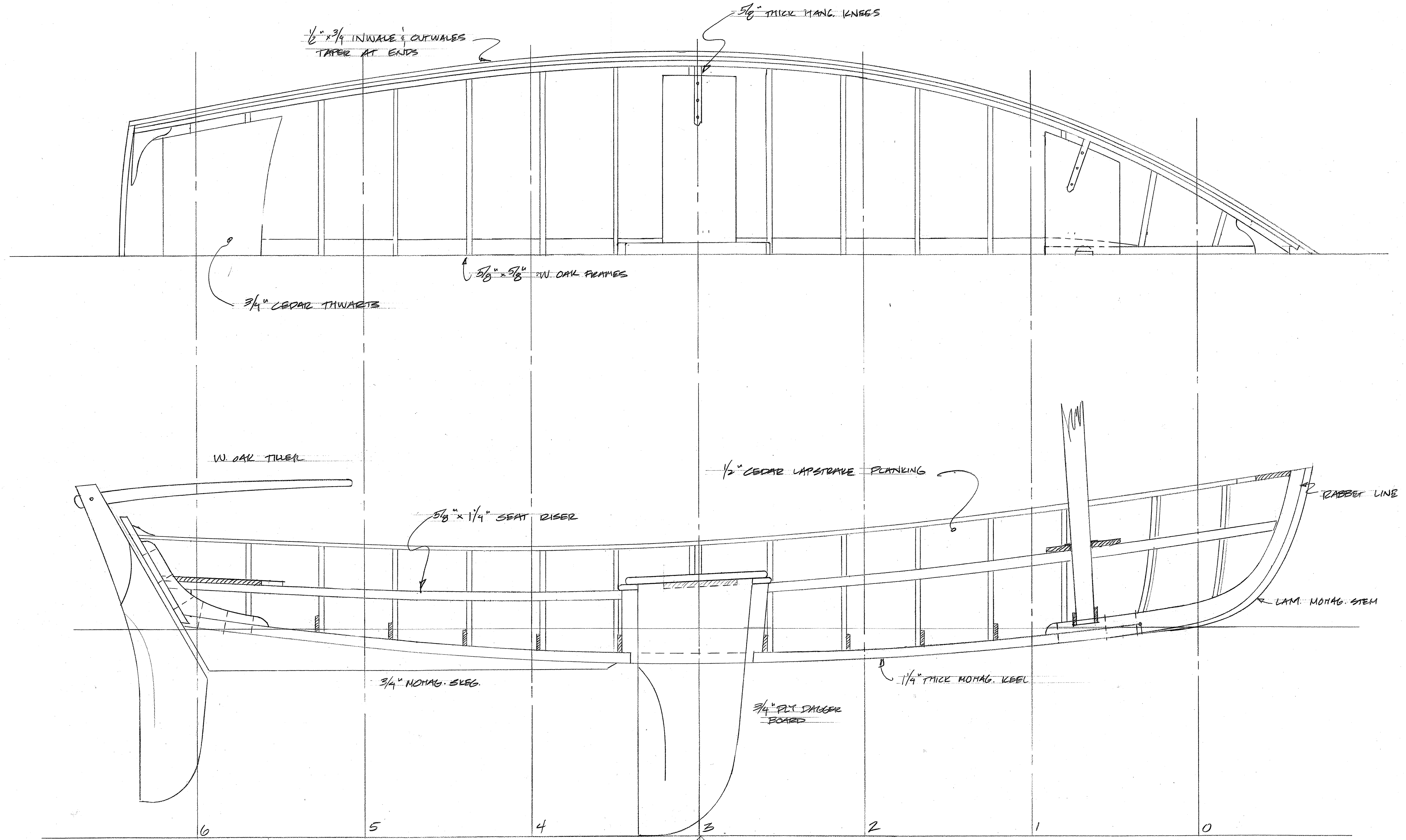
12' SAILING SKIFF

FOR
 RICHARD MILES
 PORT TOWNSEND SHIPWRIGHTS CO-OP 360-285-6138
 DESIGN BY ANTONIO SALGUERO
 12-8-04
 SCALE: 1/8" = 1'

OFFSET TABLE

HEIGHTS ABOVE BASELINE	STATIONS	0	1	2	3	4	5	6
SHEER	SHEER	1.10.4	1.7.5	1.5.2	1.3.5	1.3.0	1.3.2+	1.4.1+
	KEEL @ 0	0.5.0	0.2.5	0.2.0	0.0.4	0.2.0	0.2.5	0.5.0
HALF BREADTHS	SHEER	0.8.5	1.6.0	1.10.7	2.0.4	1.11.5	1.9.2	1.5.5
	5" WL	0.4.6	1.2.4	1.8.3	1.10.4+	1.10.5	1.10.0	1.7.1
	DWL		0.8.7	1.3.2	1.6.1	1.4.2	0.10.5	0.2.0
	RABBIT	0.1.0			STRAIGHT			0.1.0
	DIAG A	0.11.2	1.9.3	2.2.4	2.4.4	2.4.6	2.1.6+	1.10.3+

OFFSETS IN FEET, INCHES & EIGHTHS



LINES TO OUTSIDE OF PLANKING