

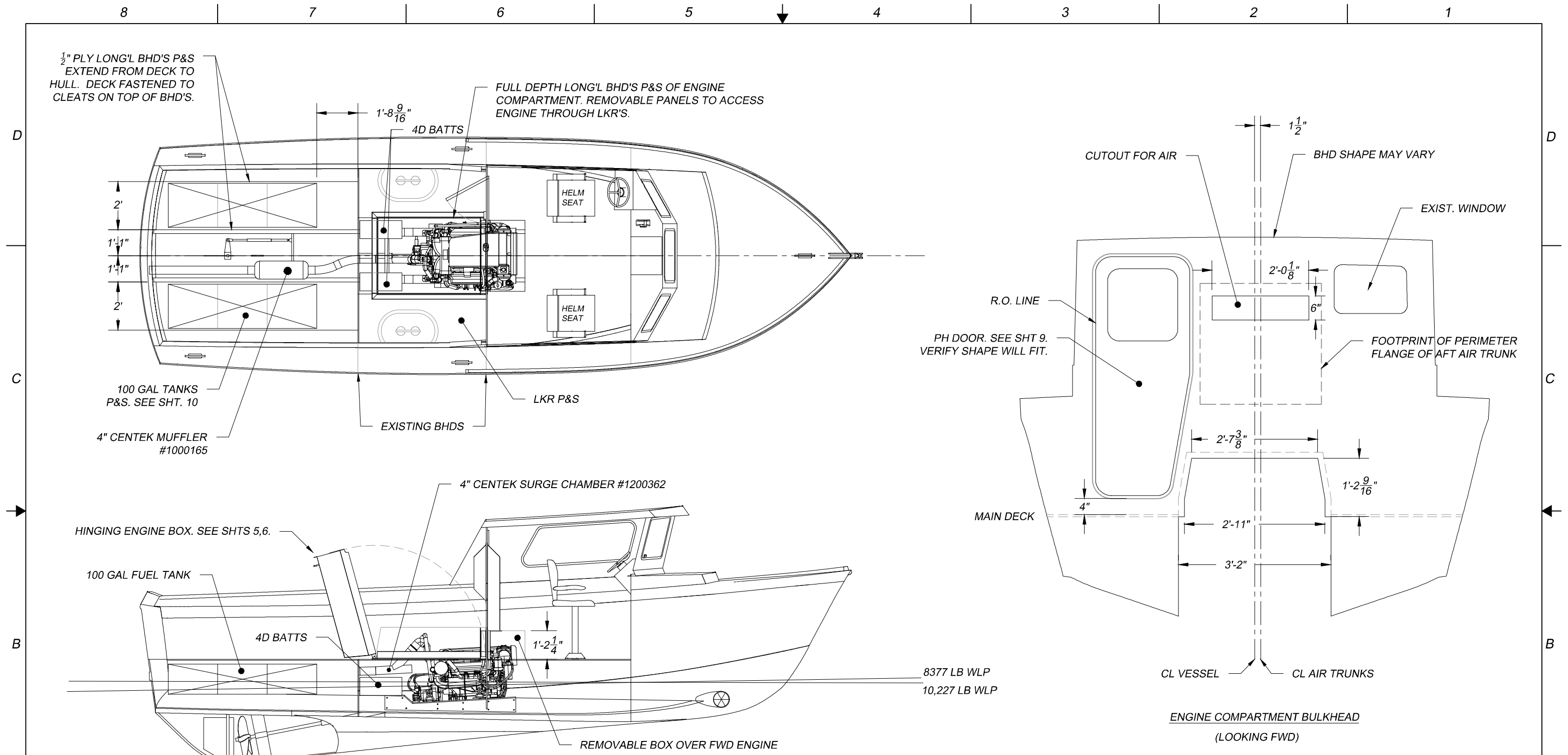
**VESSEL PARTICULARS**

LOA 29' 7"  
 BEAM 9' 11"  
 DRAFT (LOADED) 3' 4"  
 DISP. (LIGHT) 8377 LBS  
 DISP. LOADED 10,227 LBS.  
 EST. TOP SPEED (LIGHT) 28 KTS  
 EST. TOP SPEED (LOADED) 25 KTS  
 ENGINE: YANMAR 8LV-320  
 GEAR: KMH50A 2.13:1  
 FUEL CAPACITY: 200 US GAL.  
 EST. RANGE AT 20 KTS 600 NM

REVISIONS				
REV	SHT	DATE	DESCRIPTION	BY
1	ALL	12-4-2014	ORIGINAL ISSUE	ACS

DESIGN: ANTONIO SALGUERO	DWG #:
DRAWN: ACS	SCALE: 1/4" = 1'
CHECK: ACS	DATE: DECEMBER 4, 2014
OWNER: DAVE SIELER	REV 1
CONTRACT #:	SHEET: 1 OF 10

PROJECT: <b>30' LITTLE HOQUIAM RE-FIT</b>
TITLE: <b>GENERAL ARRANGEMENT</b>
<b>COASTWISE MARINE DESIGN INC.</b>
WWW.COASTWISEMARINEDESIGN.COM
1480 WEST U ST., PORT TOWNSEND, WA 98368 360-301-6400

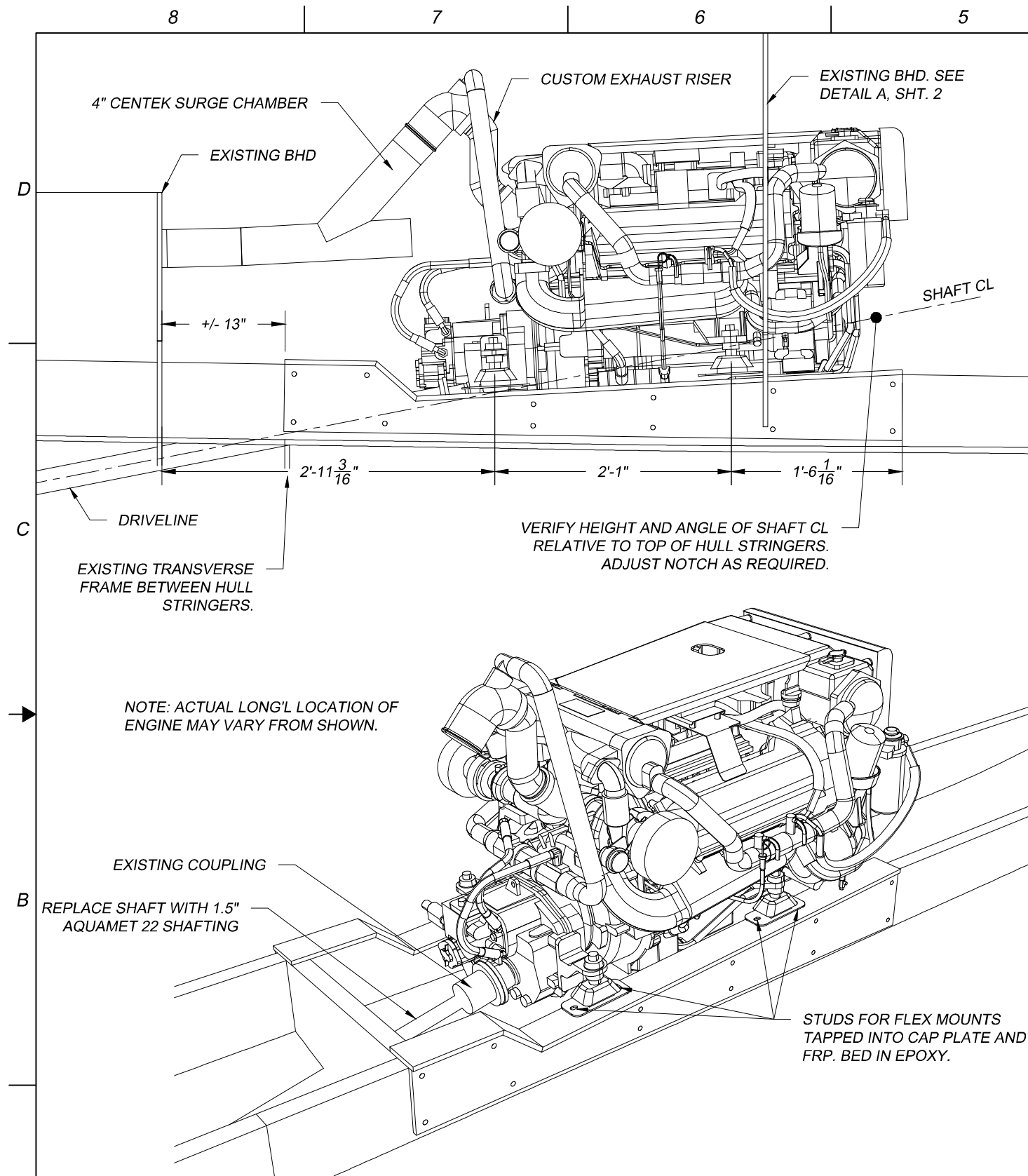


- NOTE:
1. ALL STRUCTURES TO BE REBUILT AS LIGHTLY AS POSSIBLE SO THAT VESSEL WEIGHT READY FOR SEA (FULL FUEL, 2 CREW, GEAR) DOES NOT EXCEED 10,500 LBS.
  2. IT IS RECOMMENDED THAT THE MAIN DECK AND FRAMING BE REBUILT AS PER THE ORIGINAL.
  3. USE PLYWOOD WITH DENSITY OF 36 LBS/FT<sup>3</sup> OR LESS. RECOMMEND OKUME INSTEAD OF MERANTI. ALL EDGES FULLY SEALED BEFORE INSTALLATION.
  4. USE SS FASTENERS THROUGHOUT.

REVISIONS				
REV	SHT	DATE	DESCRIPTION	BY
1	ALL	12-4-2014	ORIGINAL ISSUE	ACS

DESIGN: ANTONIO SALGUERO	DWG #:
DRAWN: ACS	SCALE: 1/4" = 1'
CHECK: ACS	DATE: DECEMBER 4, 2014
OWNER: DAVE SIELER	REV 1
CONTRACT #:	SHEET: 2 OF 10

PROJECT: <b>30' LITTLE HOQUIAM RE-FIT</b>
TITLE: <b>GENERAL ARRANGEMENT</b>
<b>COASTWISE MARINE DESIGN INC.</b>
WWW.COASTWISEMARINEDESIGN.COM
1480 WEST U ST., PORT TOWNSEND, WA 98368 360-301-6400

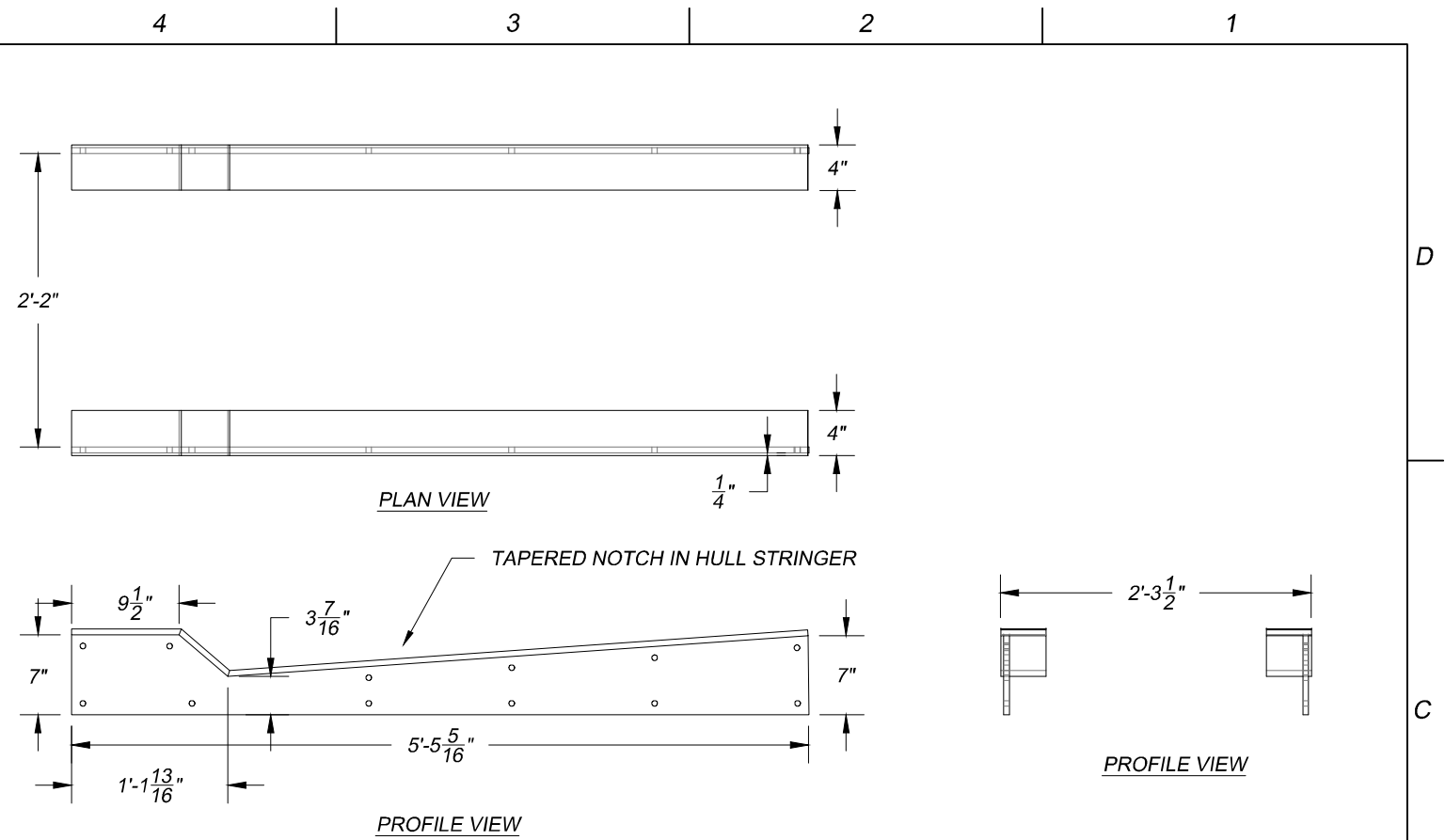


VERIFY HEIGHT AND ANGLE OF SHAFT CL  
RELATIVE TO TOP OF HULL STRINGERS.  
ADJUST NOTCH AS REQUIRED.

NOTE: ACTUAL LONG'L LOCATION OF  
ENGINE MAY VARY FROM SHOWN.

PERSPECTIVE VIEWS  
NOT TO SCALE

REVISIONS				
REV	SHT	DATE	DESCRIPTION	BY
1	ALL	12-4-2014	ORIGINAL ISSUE	ACS



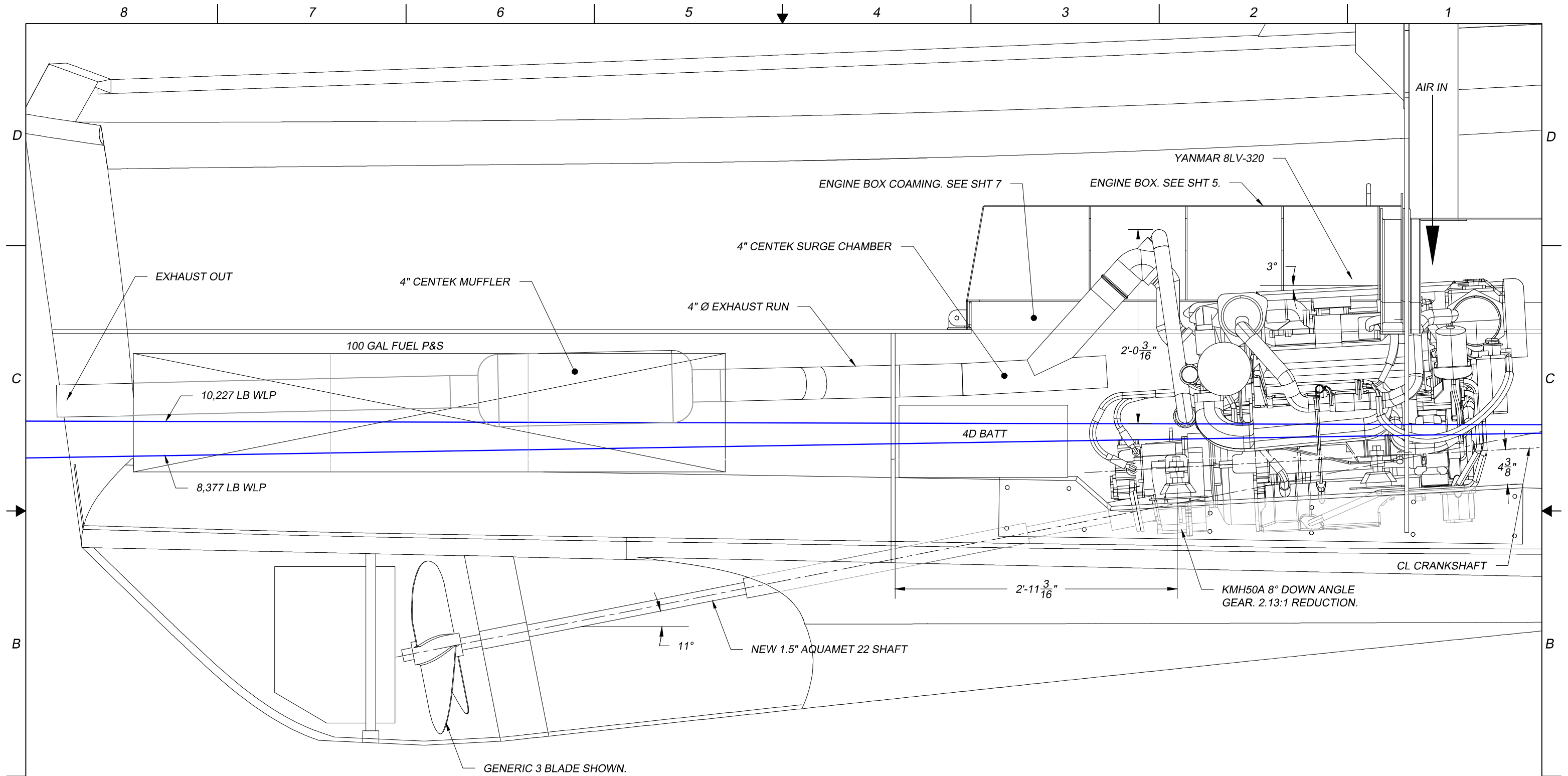
NOTE: OUTBOARD FACES OF HULL STRINGERS MAY NOT BE  
PLUMB. TO ENSURE TOP OF MOTOR MOUNTS ARE INSTALLED LEVEL  
SUGGEST WAXING MOUNTS AND BEDDING IN CHALKFAST OR EQUAL  
PRELIMINARILY TO FILL ANY GAPS, THEN BEDDING PERMANENTLY  
WITH 3M 5200.

THOROUGHLY BED ALL  
CONTACT SURFACES  
WITH 3M 5200

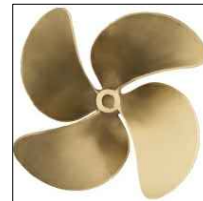
NO HOLES AT NARROWEST POINT

DESIGN: ANTONIO SALGUERO	DWG #:
DRAWN: ACS	SCALE: 3/8" = 1'
CHECK: ACS	DATE: DECEMBER 4, 2014
OWNER: DAVE SIELER	REV 1
CONTRACT #:	SHEET: 3 OF 10

PROJECT: <b>30' LITTLE HOQUIAM RE-FIT</b>
TITLE: <b>ENGINE MOUNTS</b>
<b>COASTWISE MARINE DESIGN INC.</b>
WWW.COASTWISEMARINEDESIGN.COM
1480 WEST U ST., PORT TOWNSEND, WA 98368 360-301-6400



SUMMARY OF PROPELLER SPECS:  
 MICHIGAN WHEEL DQ486 NIBRIL  
 DIAMETER 21"  
 PITCH 21" MED. CUP  
 NUMBER OF BLADES 4  
 EAR .86



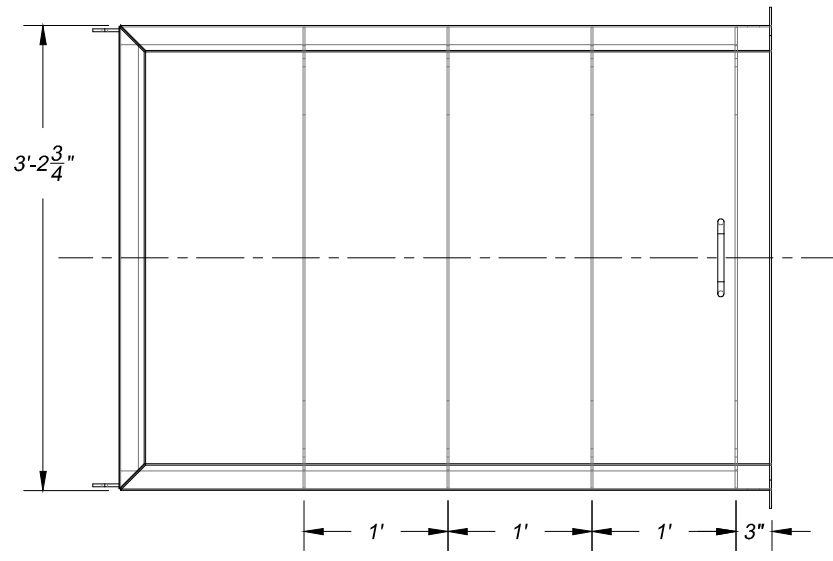
REVISIONS				
REV	SHT	DATE	DESCRIPTION	BY
1	ALL	12-4-2014	ORIGINAL ISSUE	ACS

DESIGN: ANTONIO SALGUERO	DWG #:
DRAWN: ACS	SCALE: 1" = 1'
CHECK: ACS	DATE: DECEMBER 4, 2014
OWNER: DAVE SIELER	REV 1
CONTRACT #:	SHEET: 4 OF 10

PROJECT:	<b>30' LITTLE HOQUIAM RE-FIT</b>
TITLE:	<b>ENGINE INSTALLATION PROFILE</b>
<b>COASTWISE MARINE DESIGN INC.</b>	
WWW.COASTWISEMARINEDESIGN.COM	
1480 WEST U ST. , PORT TOWNSEND, WA 98368 360-301-6400	

8 7 6 5 4 3 2 1

D

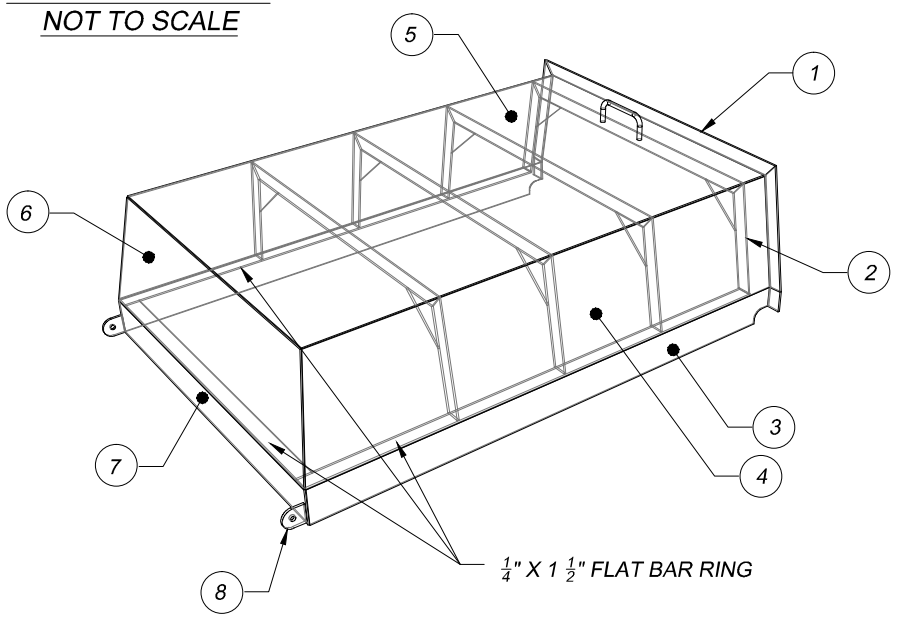


PLAN VIEW

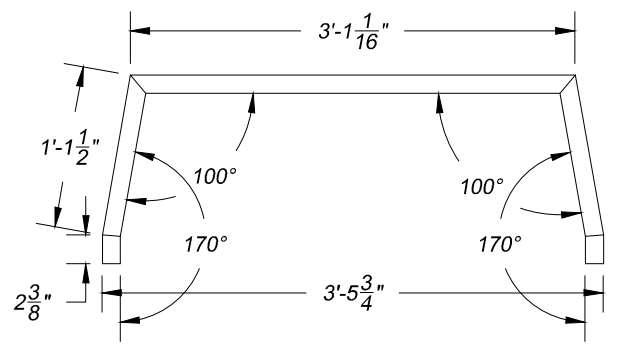
FWD →

C

PERSPECTIVE VIEW  
NOT TO SCALE

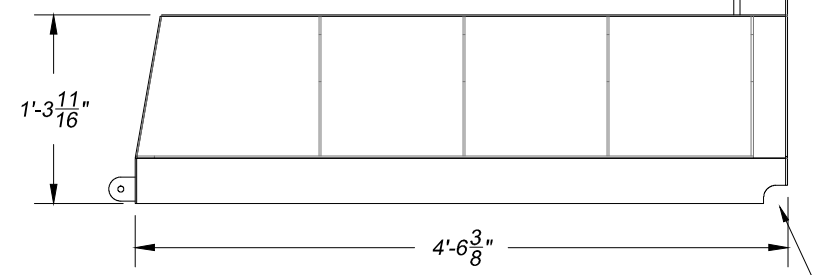


1/4" X 1 1/2" FLAT BAR RING



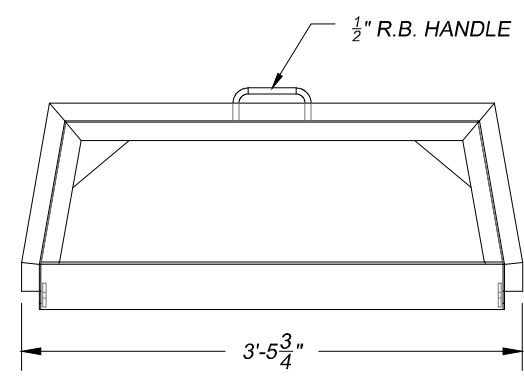
1 1/4" X 1 1/2" 6061 FLAT BAR

B

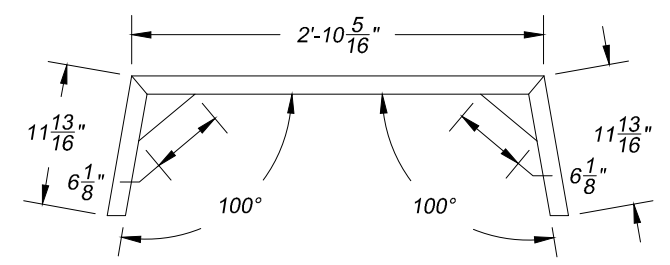


PROFILE VIEW

LIMBER EACH SIDE



VIEW LOOKING AFT



2 1/4" X 1 1/2" 6061 FLAT BAR.  
4 ASSEMBLIES NEEDED

A

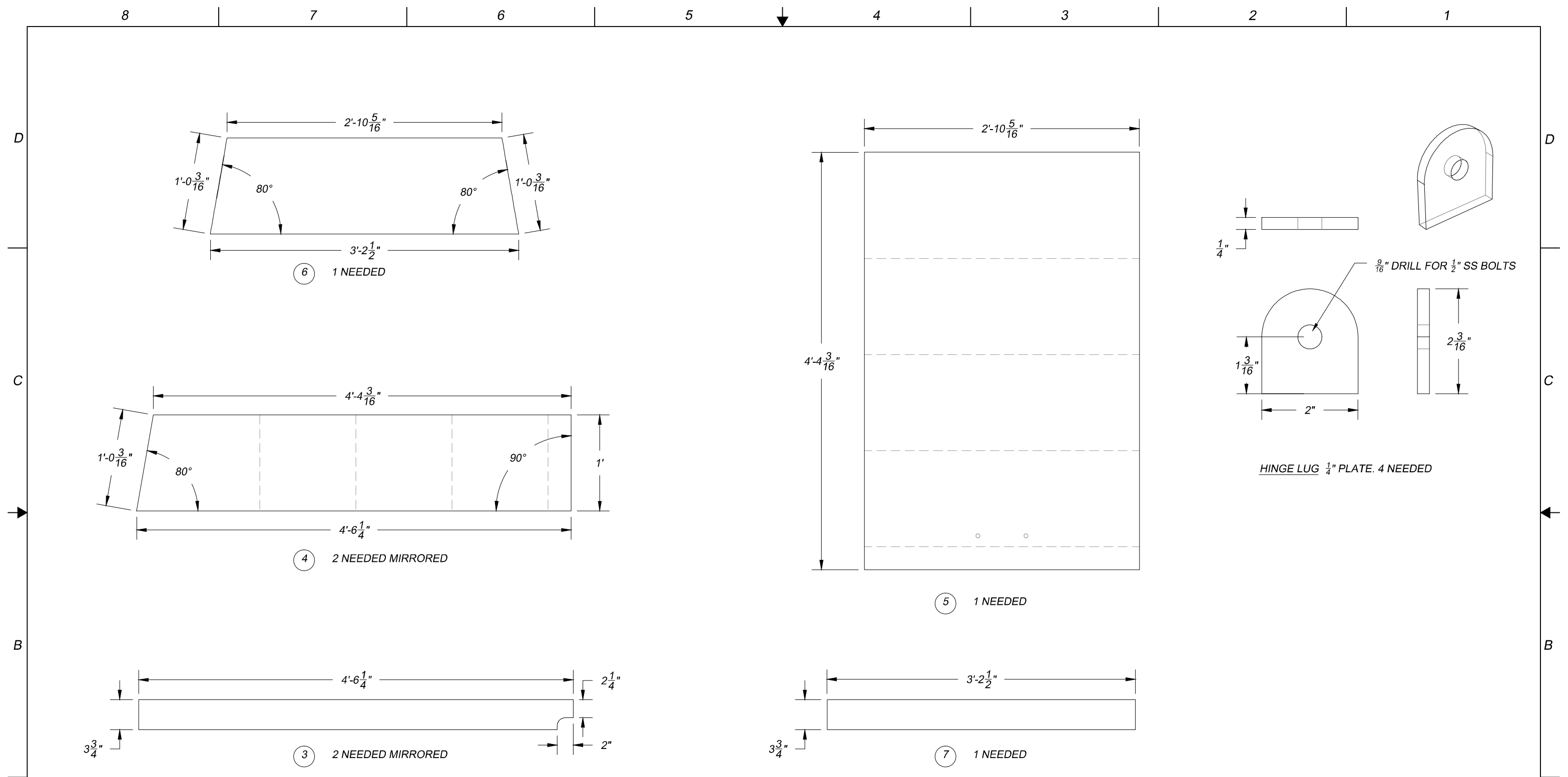
REVISIONS

REV	SHT	DATE	DESCRIPTION	BY
1	ALL	12-4-2014	ORIGINAL ISSUE	ACS

DESIGN: ANTONIO SALGUERO	DWG #:
DRAWN: ACS	SCALE: 3/8" = 1'
CHECK: ACS	DATE: DECEMBER 4, 2014
OWNER: DAVE SIELER	REV 1
CONTRACT #:	SHEET: 5 OF 10

PROJECT: <b>30' LITTLE HOQUIAM RE-FIT</b>
TITLE: <b>HINGING ENGINE BOX</b>
<b>COASTWISE MARINE DESIGN INC.</b>
WWW.COASTWISEMARINEDESIGN.COM
1480 WEST U ST., PORT TOWNSEND, WA 98368 360-301-6400

8 7 6 5 4 3 2 1



NOTE: ALL BOX PARTS CUT FROM 5086 PLATE

REVISIONS

REV	SHT	DATE	DESCRIPTION	BY
1	ALL	12-4-2014	ORIGINAL ISSUE	ACS

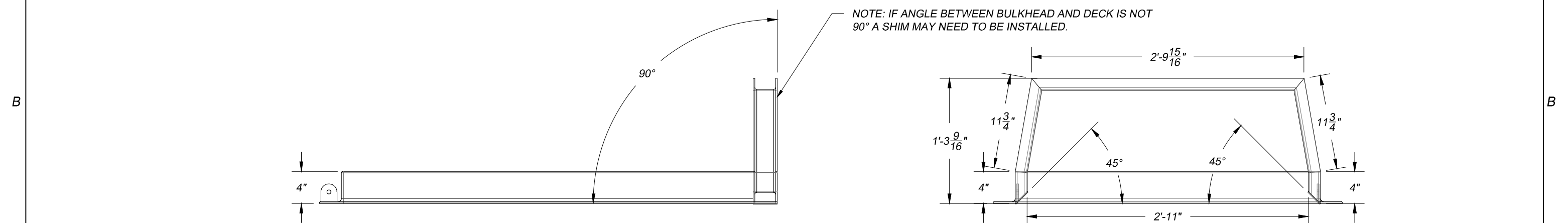
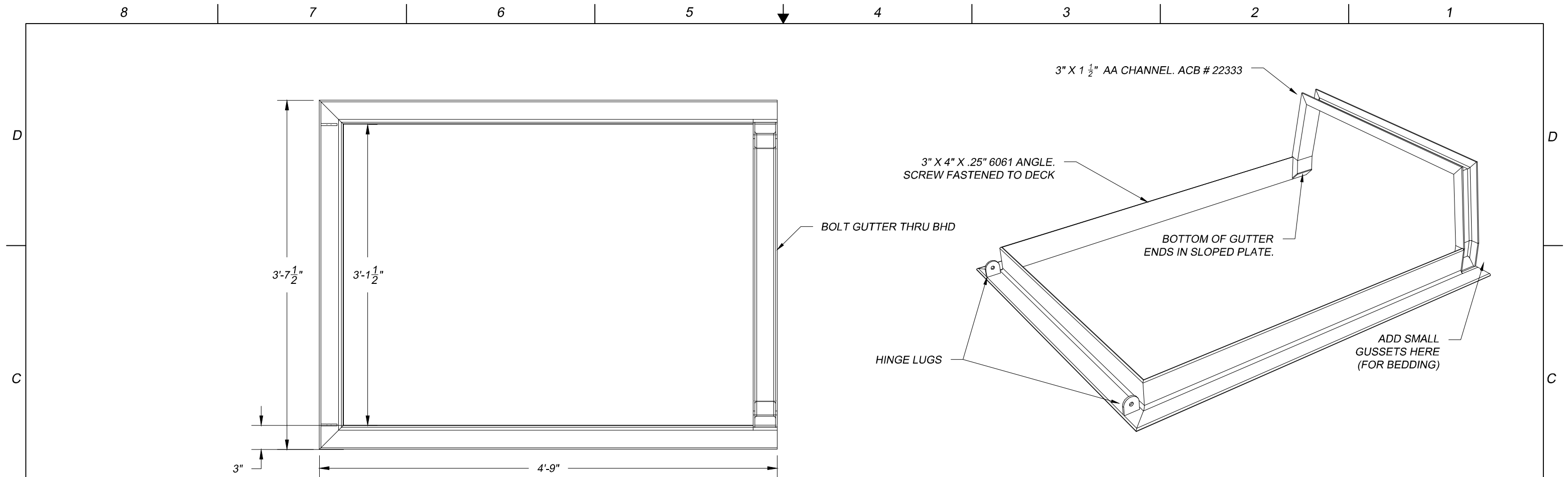
DESIGN: ANTONIO SALGUERO	DWG #:
DRAWN: ACS	SCALE: 3/8" = 1'
CHECK: ACS	DATE: DECEMBER 4, 2014
OWNER: DAVE SIELER	REV 1
CONTRACT #:	SHEET: 6 OF 10

PROJECT: **30' LITTLE HOQUIAM RE-FIT**

TITLE: **HINGING ENGINE BOX LOFTING**

**COASTWISE MARINE DESIGN INC.**

WWW.COASTWISEMARINEDESIGN.COM  
1480 WEST U ST., PORT TOWNSEND, WA 98368 360-301-6400



REVISIONS				
REV	SHT	DATE	DESCRIPTION	BY
1	ALL	12-4-2014	ORIGINAL ISSUE	ACS

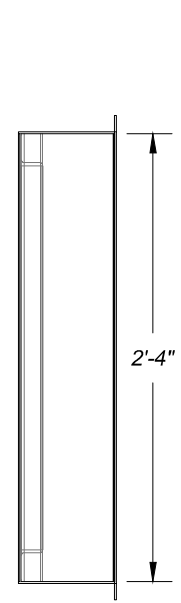
DESIGN: ANTONIO SALGUERO	DWG #:
DRAWN: ACS	SCALE: 1" = 1'
CHECK: ACS	DATE: DECEMBER 4, 2014
OWNER: DAVE SIELER	REV 1
CONTRACT #:	SHEET: 7 OF 10

PROJECT: <b>30' LITTLE HOQUIAM RE-FIT</b>
TITLE: <b>ENGINE BOX COAMING</b>
<b>COASTWISE MARINE DESIGN INC.</b>
WWW.COASTWISEMARINEDESIGN.COM
1480 WEST U ST. , PORT TOWNSEND, WA 98368 360-301-6400

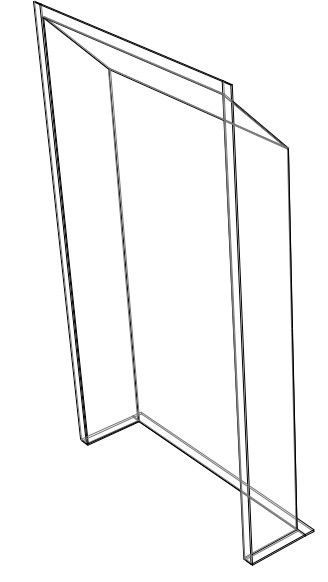
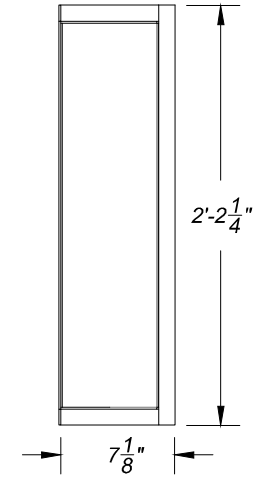
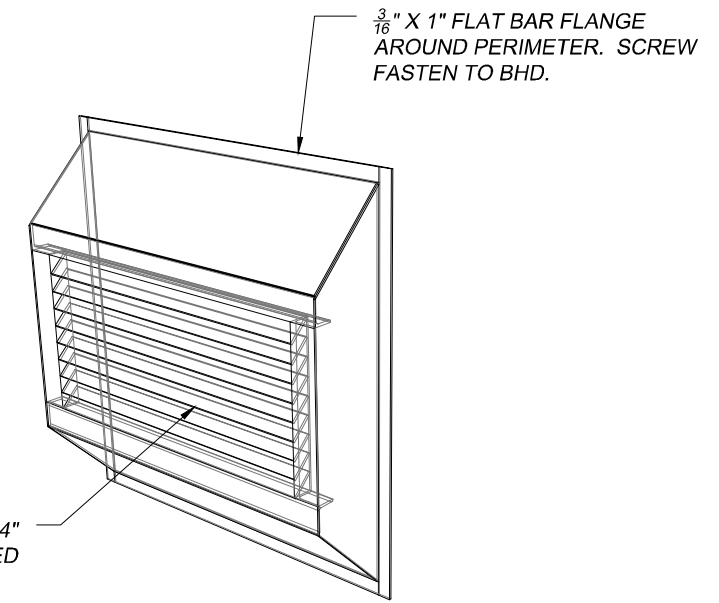
8 7 6 5 4 3 2 1

D  
C  
B  
A

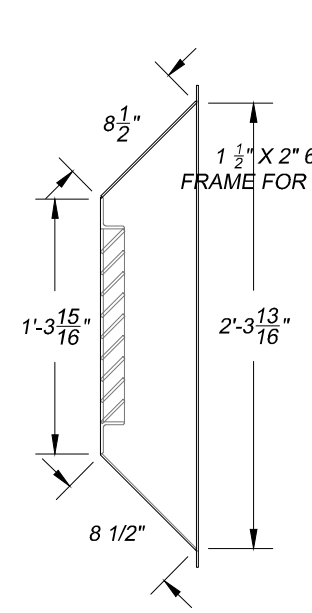
D  
C  
B  
A



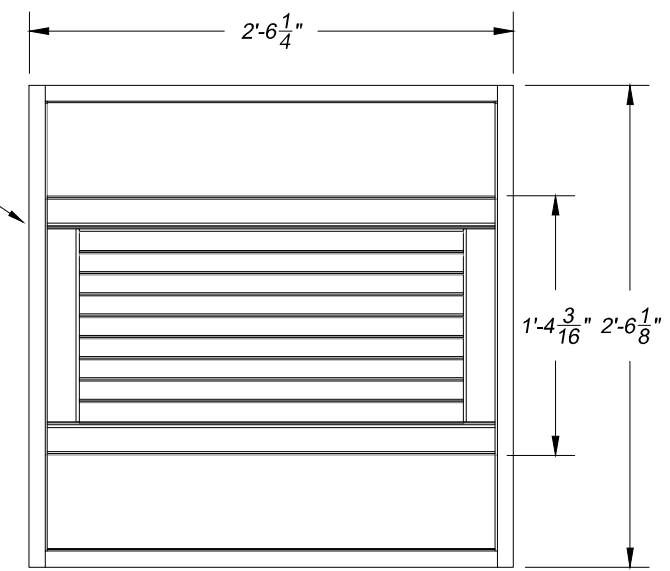
LOUVERS  $\frac{3}{16}$ " X  $1\frac{1}{2}$ " X 24"  
FLAT BAR. 9 NEEDED



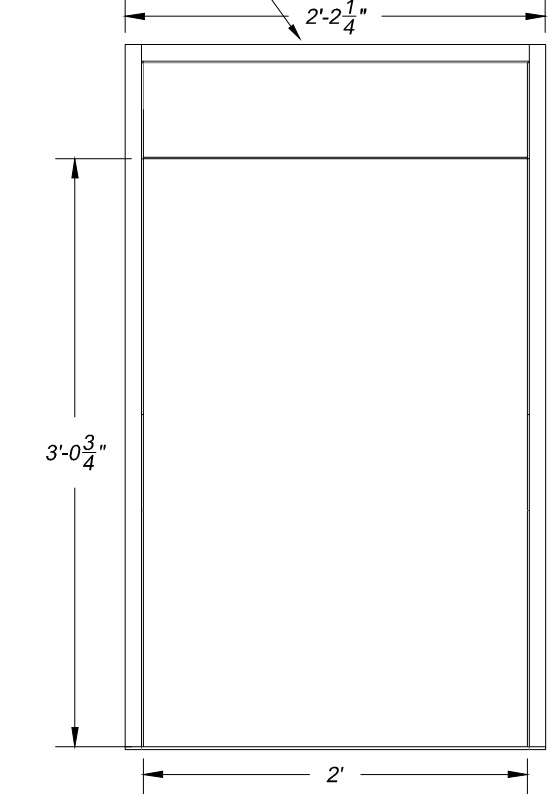
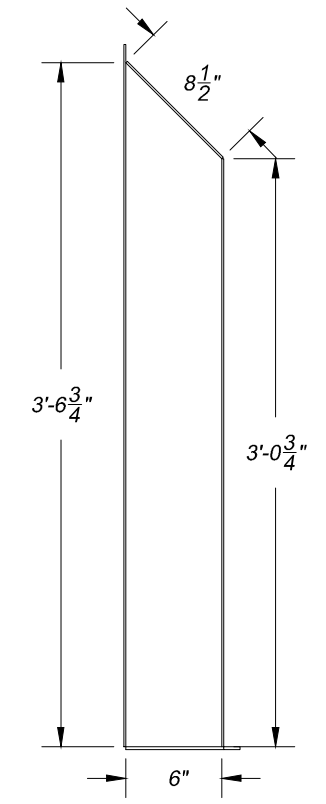
$\frac{3}{16}$ " X 1" PERIMETER FLANGE



$1\frac{1}{2}$ " X 2" 6061 ALG  
FRAME FOR LOUVERS



AFT AIR TRUNK



FWD AIR TRUNK

REVISIONS				
REV	SHT	DATE	DESCRIPTION	BY
1	ALL	12-4-2014	ORIGINAL ISSUE	ACS

DESIGN: ANTONIO SALGUERO	DWG #:
DRAWN: ACS	SCALE: 1" = 1'
CHECK: ACS	DATE: DECEMBER 4, 2014
OWNER: DAVE SIELER	REV 1
CONTRACT #:	SHEET: 8 OF 10

PROJECT: <b>30' LITTLE HOQUIAM RE-FIT</b>
TITLE: <b>AFT AND FWD AIR TRUNKS</b>
<b>COASTWISE MARINE DESIGN INC.</b>
WWW.COASTWISEMARINEDESIGN.COM
1480 WEST U ST., PORT TOWNSEND, WA 98368 360-301-6400

8 7 6 5 4 3 2 1



8

7

6

5

4

3

2

1

D

D

C

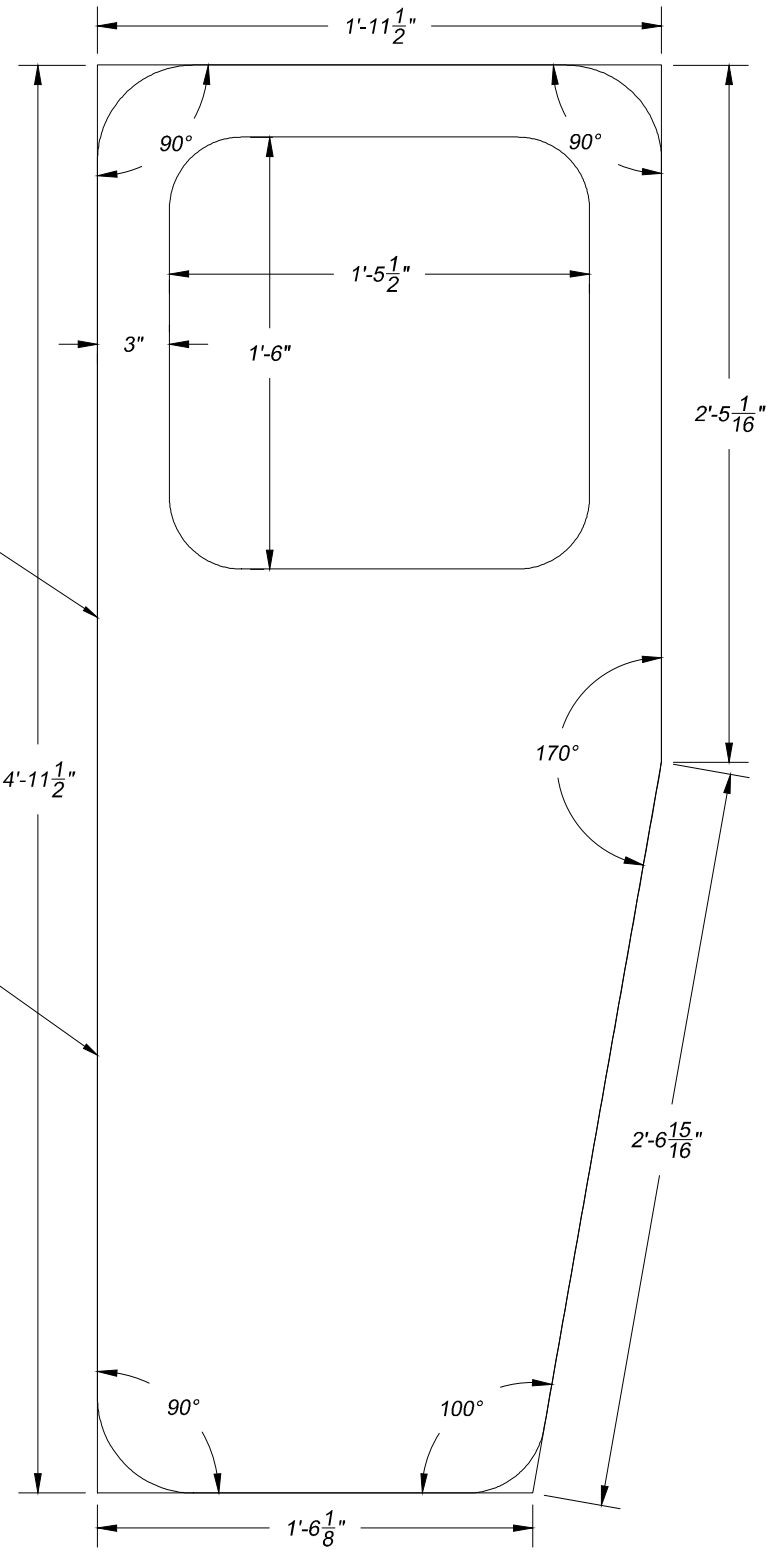
C

B

B

A

A



NOTES:

- 1. LOFTING AS PER AJR IN B.C.
- 2. ALL DOOR CORNERS 4" RADIUS.
- 3. ALL WINDOW CORNERS 3" RADIUS.
- 4. CLEAR GLASS IN WINDOW.
- 5. NO DOGS, ONLY SINGLE LATCH.

PH DOOR  
(AS VIEWED FROM OUTSIDE)

REVISIONS

REV	SHT	DATE	DESCRIPTION	BY
1	ALL	12-4-2014	ORIGINAL ISSUE	ACS

PROJECT: **30' LITTLE HOQUIAM RE-FIT**

TITLE: **PH DOOR LOFTING**

**COASTWISE MARINE DESIGN INC.**

WWW.COASTWISEMARINEDESIGN.COM  
1480 WEST U ST., PORT TOWNSEND, WA 98368 360-301-6400

DESIGN: ANTONIO SALGUERO	DWG #:
DRAWN: ACS	SCALE: 1 1/2" = 1'
CHECK: ACS	DATE: DECEMBER 4, 2014
OWNER: DAVE SIELER	REV 1
CONTRACT #:	SHEET: 9 OF 10

8

7

6

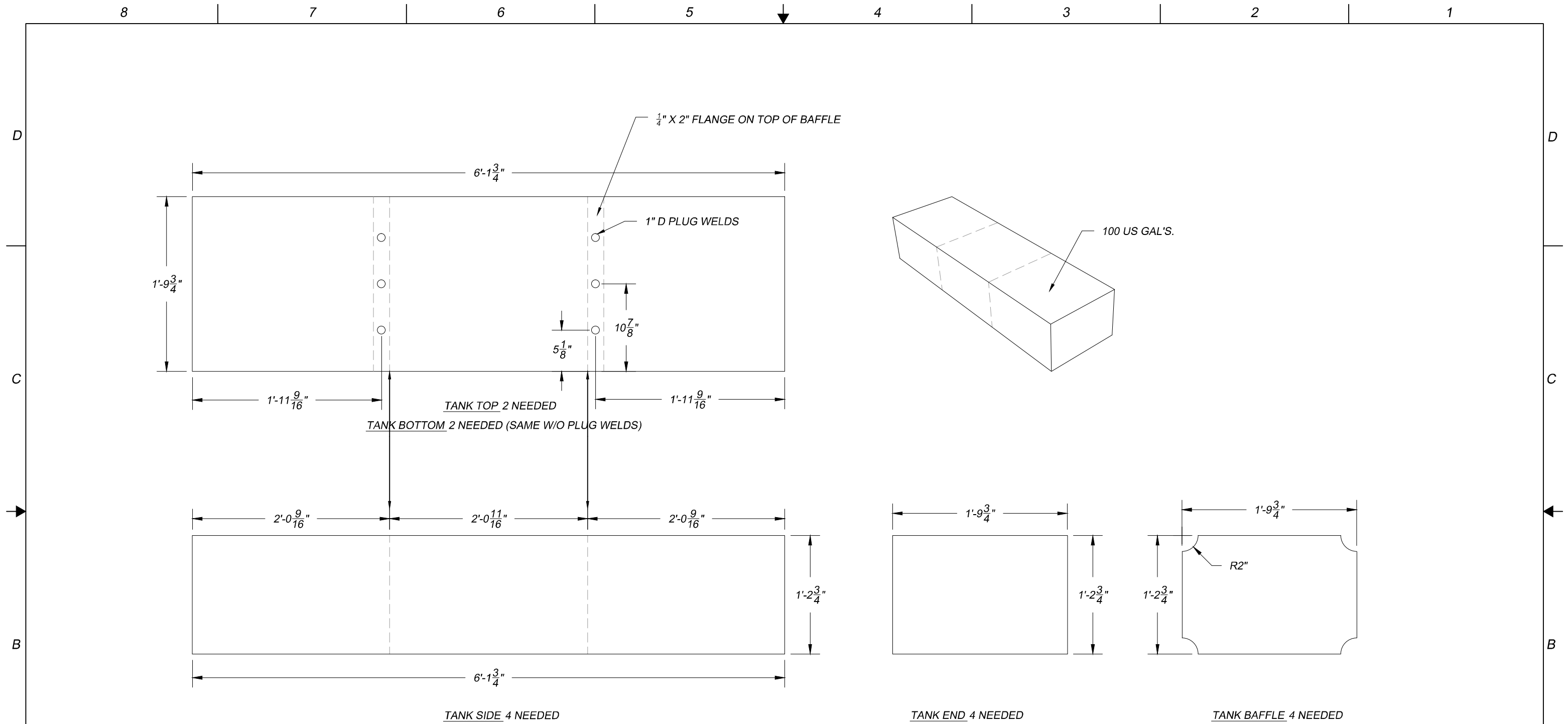
5

4

3

2

1



- NOTES:
1. USE .125" 5086 ALUMINUM PLATE.
  2. 2 TANKS NEEDED.
  3. ALL DIMENSIONS TO INSIDE OF TANK ALLOWING INSIDE CORNER WELDS AT EDGES.
  4. TANK FITTING LOCATION T.B.D.

REVISIONS				
REV	SHT	DATE	DESCRIPTION	BY
1	ALL	12-4-2014	ORIGINAL ISSUE	ACS

DESIGN: ANTONIO SALGUERO	DWG #:
DRAWN: ACS	SCALE: 1" = 1'
CHECK: ACS	DATE: DECEMBER 4, 2014
OWNER: DAVE SIELER	REV 1
CONTRACT #:	SHEET: 10 OF 10

PROJECT: <b>30' LITTLE HOQUIAM RE-FIT</b>
TITLE: <b>FUEL TANKS</b>
<b>COASTWISE MARINE DESIGN INC.</b>
WWW.COASTWISEMARINEDESIGN.COM
1480 WEST U ST., PORT TOWNSEND, WA 98368 360-301-6400