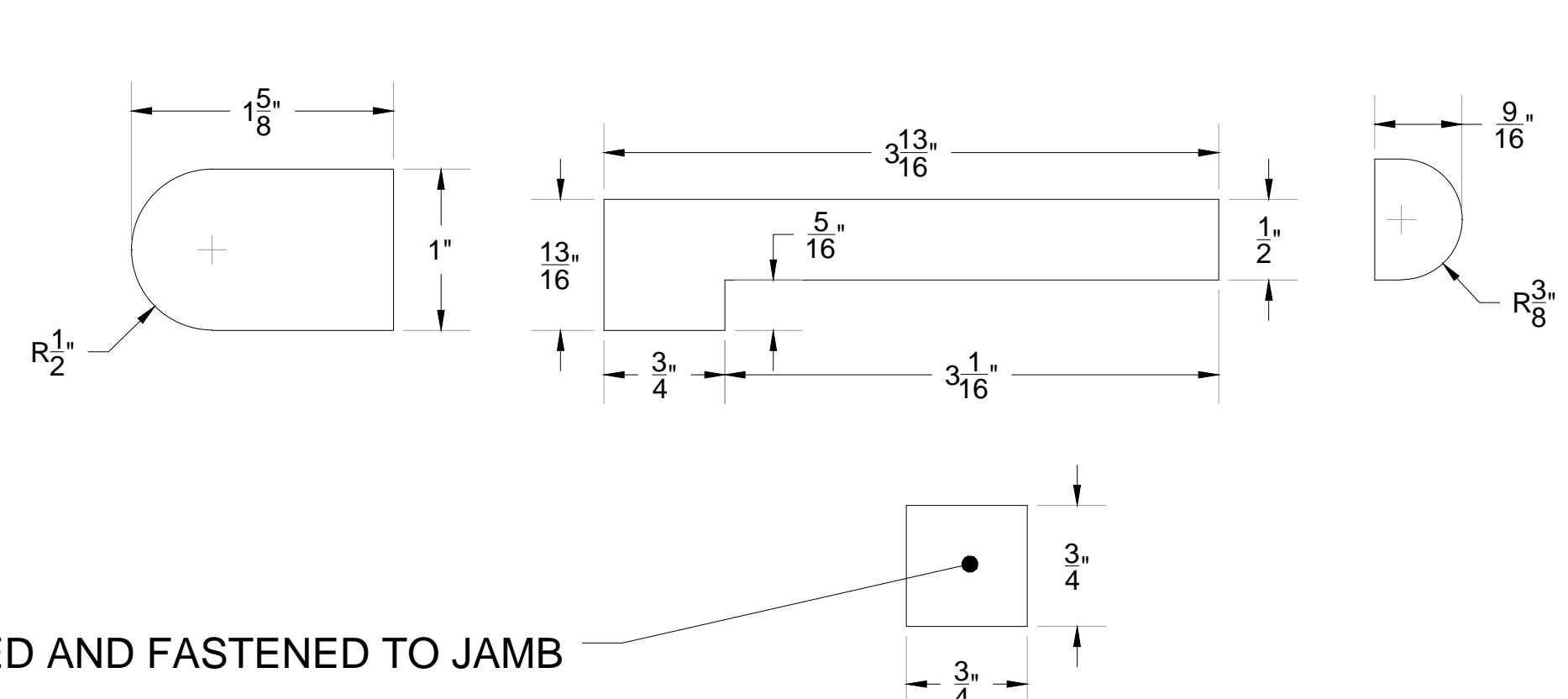
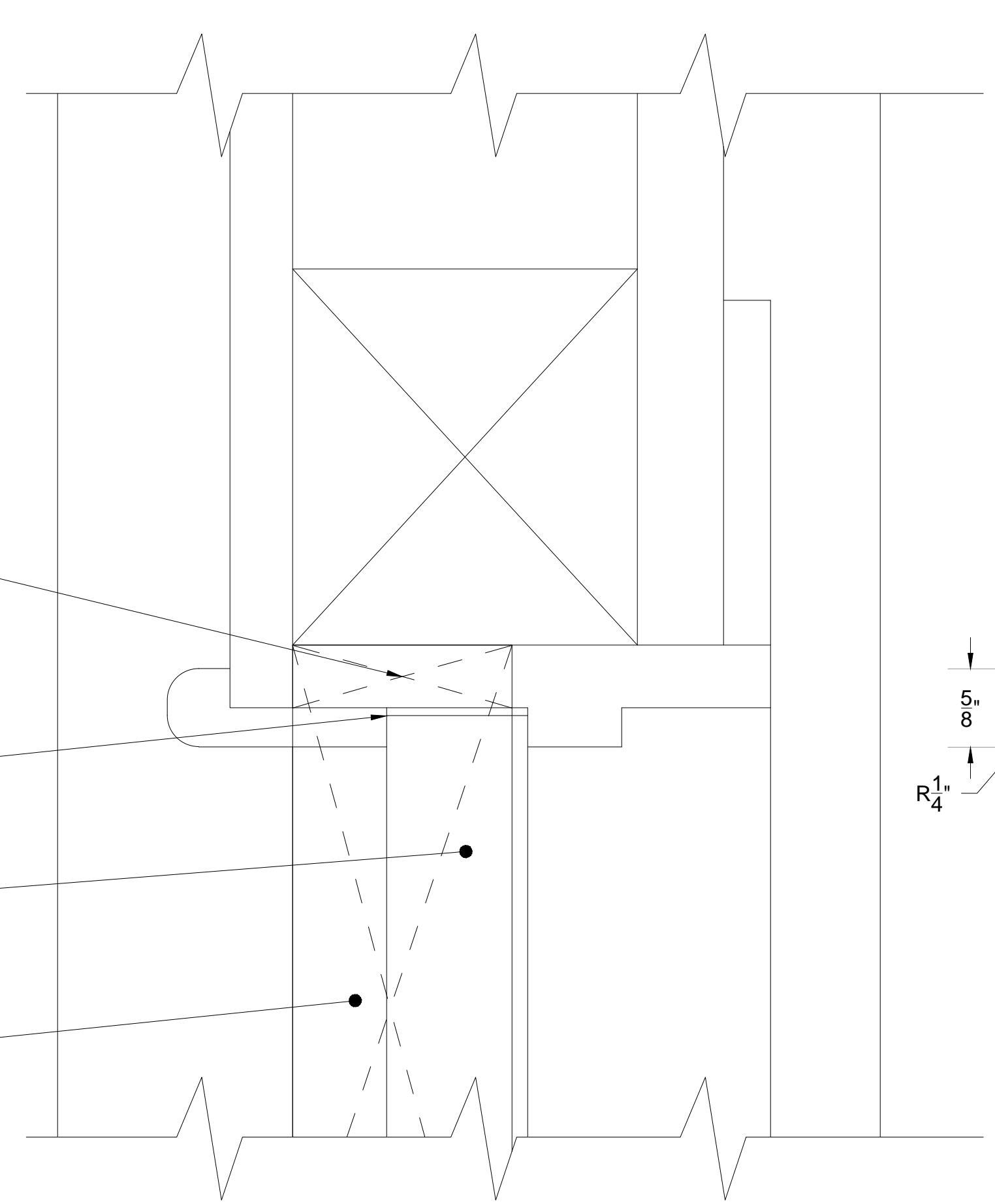


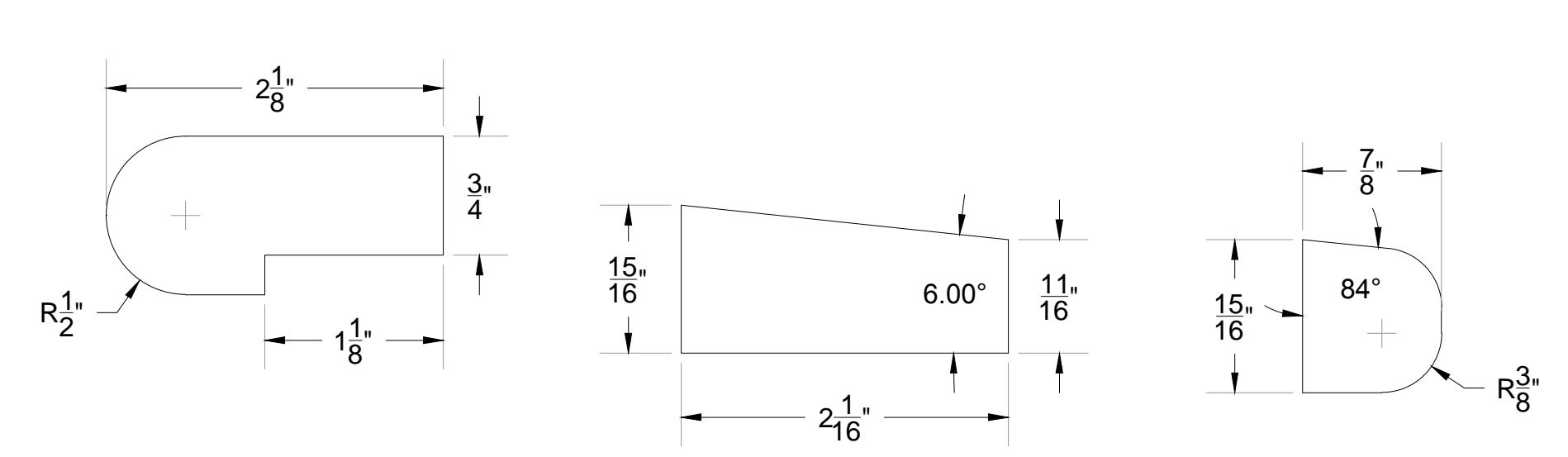
SECTION THROUGH AFT CABIN DROP WINDOW



3/4 X 3/4 STOP GLUED AND FASTENED TO JAMB



SECTION THROUGH SIDE OF WINDOW



COPPER WINDOW BOX

NOTE: VERIFY ALL WINDOW JAMB DIMENSIONS AGAINST EXISTING FRAMING

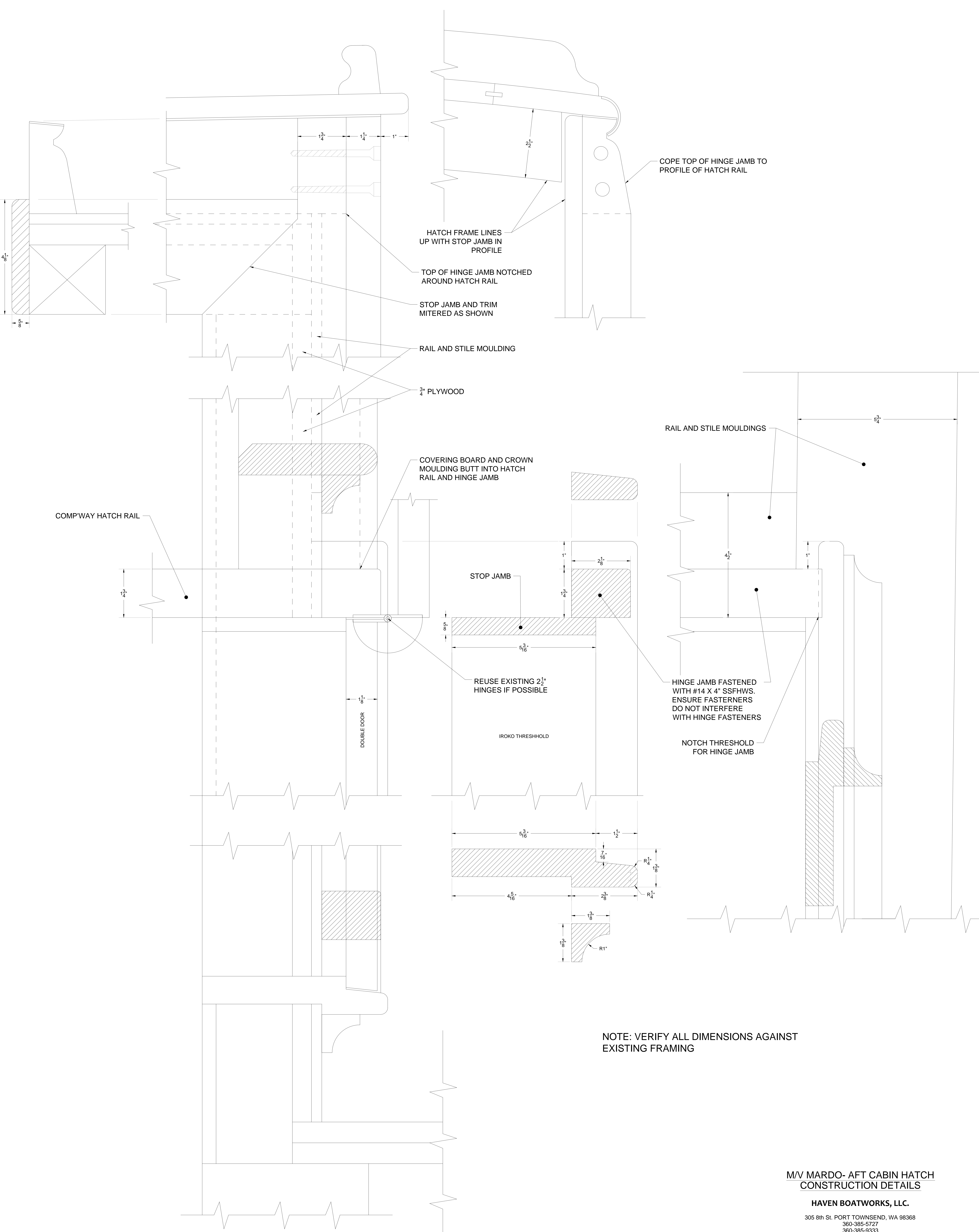
M/V MARDO-DROP CABIN WINDOW
CONSTRUCTION DETAILS

HAVEN BOATWORKS, LLC.

305 8th St. PORT TOWNSEND, WA 98368
360-385-5727
360-385-9333
mail@havenboatworks.com

DRAWING BY ANTONIO SALGUERO
OCTOBER 14, 2009

FULL SCALE



COPE TOP OF HINGE JAMB TO PROFILE OF HATCH RAIL

HATCH FRAME LINES UP WITH STOP JAMB IN PROFILE

TOP OF HINGE JAMB NOTCHED AROUND HATCH RAIL

STOP JAMB AND TRIM MITERED AS SHOWN

RAIL AND STILE MOULDING

3/4" PLYWOOD

COVERING BOARD AND CROWN MOULDING BUTT INTO HATCH RAIL AND HINGE JAMB

COMPWAY HATCH RAIL

STOP JAMB

REUSE EXISTING 2 1/2" HINGES IF POSSIBLE

IROKO THRESHOLD

HINGE JAMB FASTENED WITH #14 X 4" SSFHWS. ENSURE FASTENERS DO NOT INTERFERE WITH HINGE FASTENERS

NOTCH THRESHOLD FOR HINGE JAMB

NOTE: VERIFY ALL DIMENSIONS AGAINST EXISTING FRAMING

FULL SCALE

M/V MARDO- AFT CABIN HATCH CONSTRUCTION DETAILS

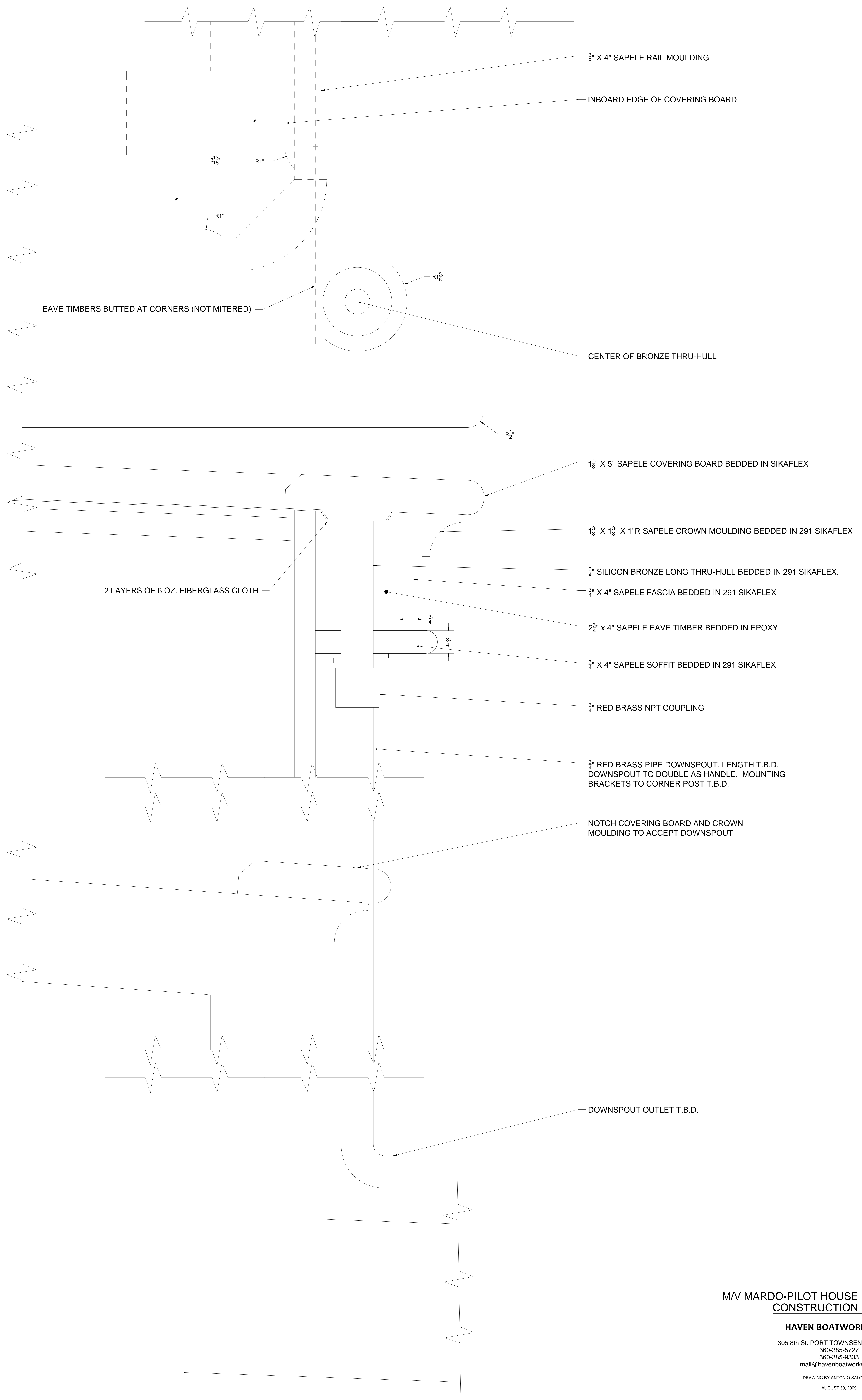
HAVEN BOATWORKS, LLC.

305 8th St. PORT TOWNSEND, WA 98368
360-385-5727

360-385-9333
mail@havenboatworks.com

DRAWING BY ANTONIO SALGUERO

OCTOBER 15, 2009



EAVE TIMBERS BUTTED AT CORNERS (NOT MITERED)

3/8 X 4" SAPELE RAIL MOULDING

INBOARD EDGE OF COVERING BOARD

CENTER OF BRONZE THRU-HULL

1/8 X 5" SAPELE COVERING BOARD BEDDED IN SIKAFLEX

1 3/8 X 1 3/8 X 1"R SAPELE CROWN MOULDING BEDDED IN 291 SIKAFLEX

3/4 SILICON BRONZE LONG THRU-HULL BEDDED IN 291 SIKAFLEX.

3/4 X 4" SAPELE FASCIA BEDDED IN 291 SIKAFLEX

2 3/4 X 4" SAPELE EAVE TIMBER BEDDED IN EPOXY.

3/4 X 4" SAPELE SOFFIT BEDDED IN 291 SIKAFLEX

3/4 RED BRASS NPT COUPLING

3/4 RED BRASS PIPE DOWNSPOUT. LENGTH T.B.D.
DOWNSPOUT TO DOUBLE AS HANDLE. MOUNTING
BRACKETS TO CORNER POST T.B.D.

NOTCH COVERING BOARD AND CROWN
MOULDING TO ACCEPT DOWNSPOUT

DOWNSPOUT OUTLET T.B.D.

2 LAYERS OF 6 OZ. FIBERGLASS CLOTH

**M/V MARDO-PILOT HOUSE BROW AND DRAIN
CONSTRUCTION DETAILS**

HAVEN BOATWORKS, LLC.

305 8th St. PORT TOWNSEND, WA 98368
360-385-5727
360-385-9333
mail@havenboatworks.com

DRAWING BY ANTONIO SALGUERO
AUGUST 30, 2009