

# SAIL PLAN

S/V MORNING FLIGHT

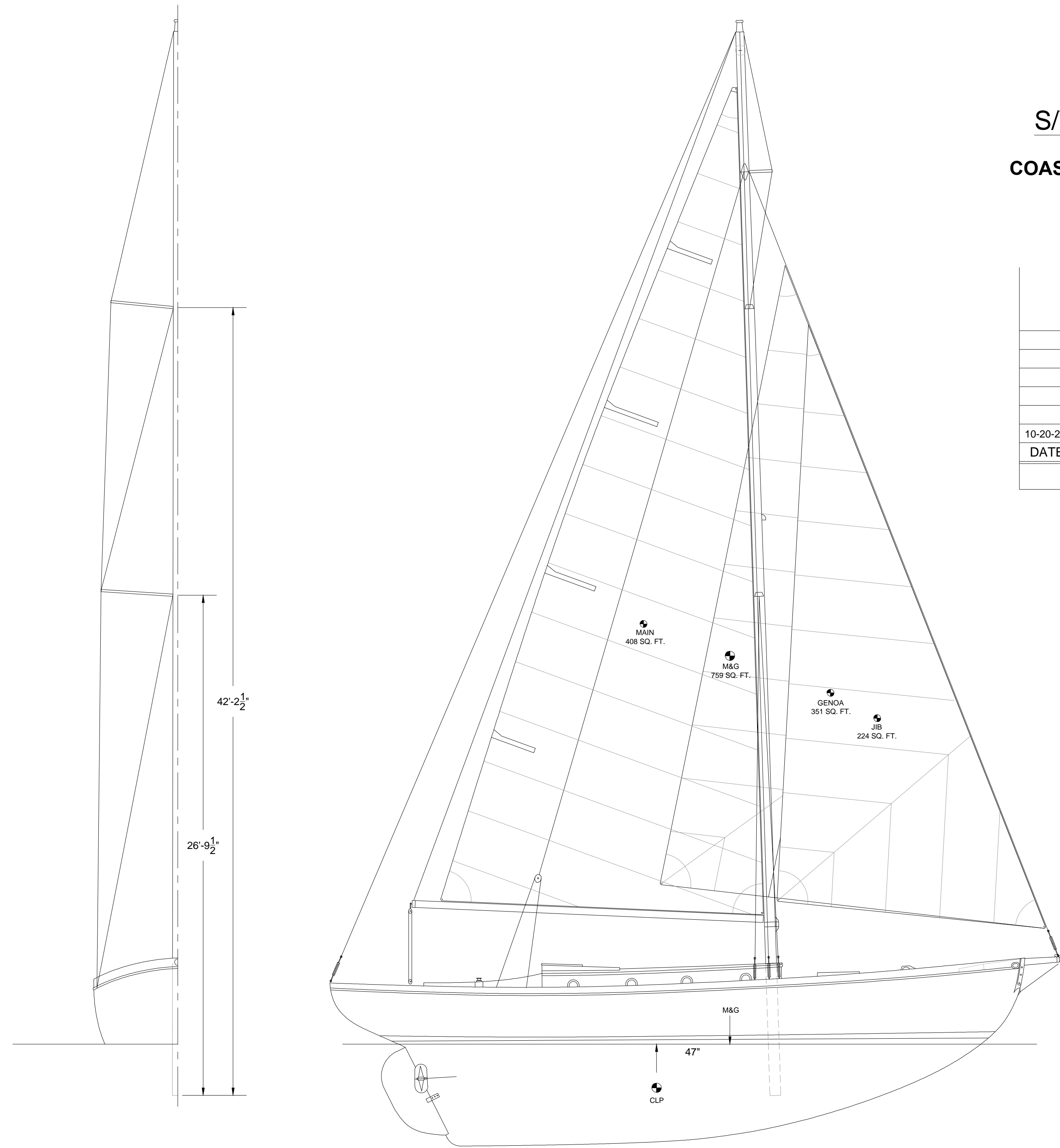
COASTWISE MARINE DESIGN INC.

1480 U ST. PORT TOWNSEND, WA 98368  
 360-301-6400  
 DRAWING BY ANTONIO SALGUERO  
 OCTOBER 20, 2012

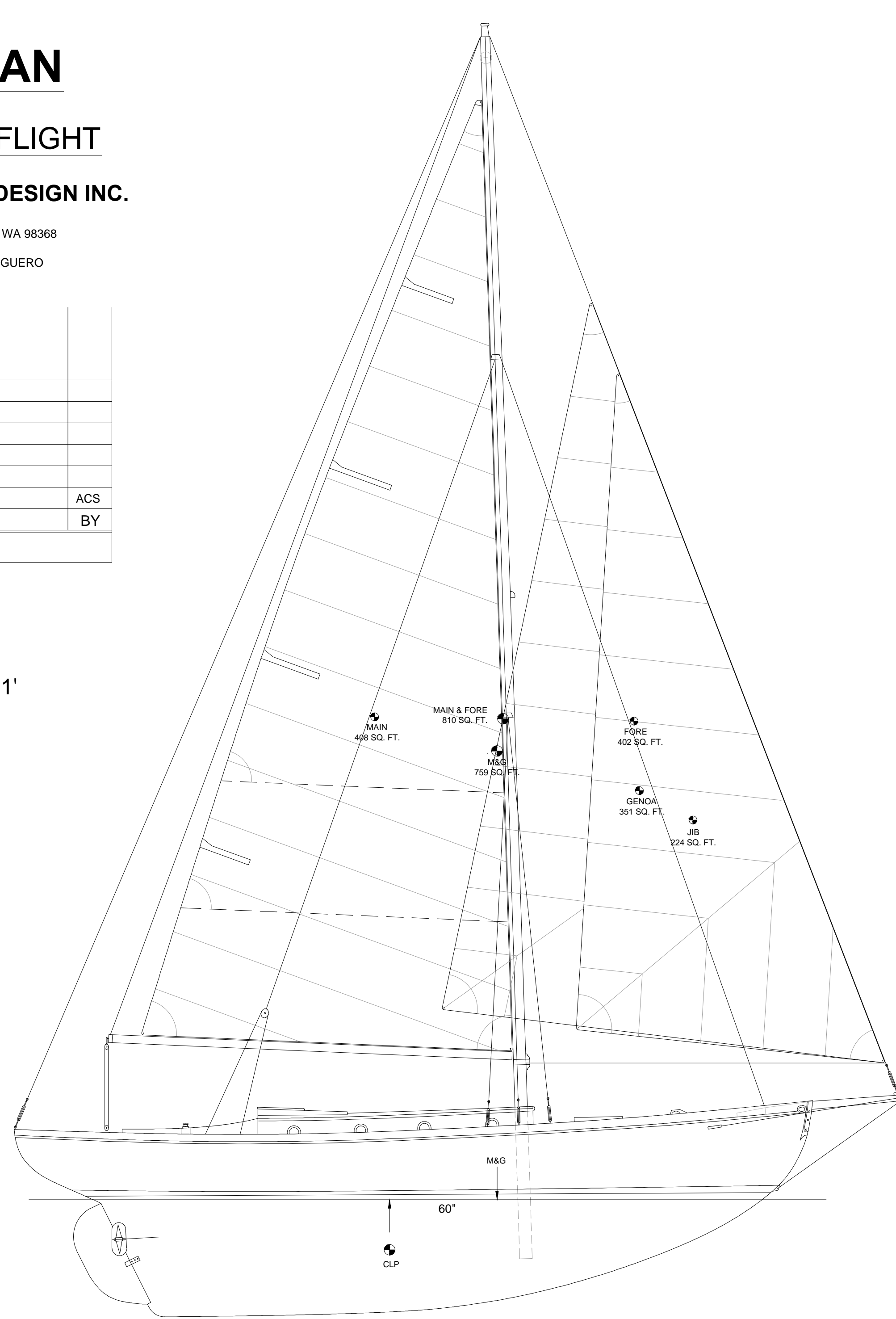
DATE	DESCRIPTION	BY
10-20-2012	ORIGINAL ISSUE	ACS

REVISIONS

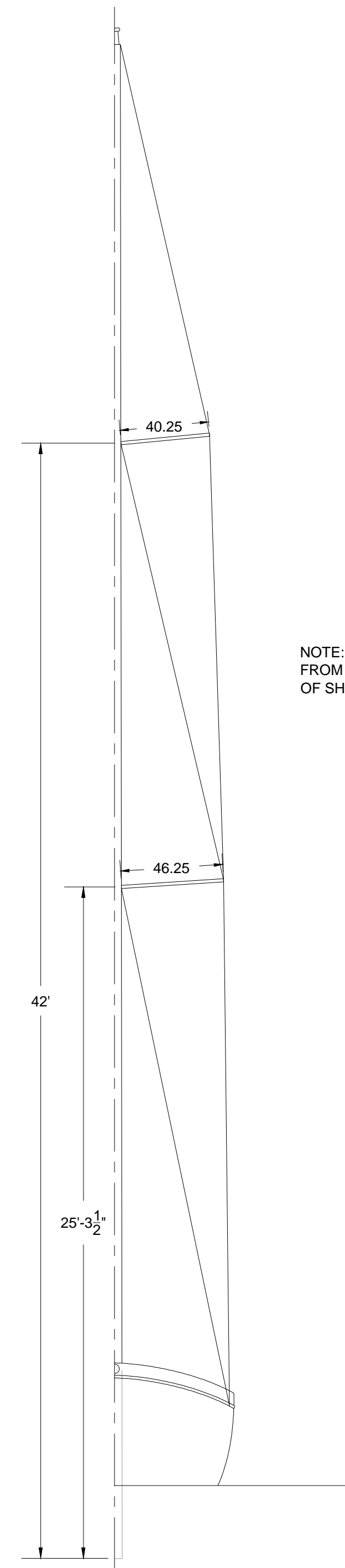
SCALE: 1/4"=1'



EXISTING SAIL PLAN: 12.5% LEAD



PROPOSED SAIL PLAN: 16% LEAD



NOTE: SPREADER LENGTHS FROM SIDE OF MAST TO CL OF SHROUD.