

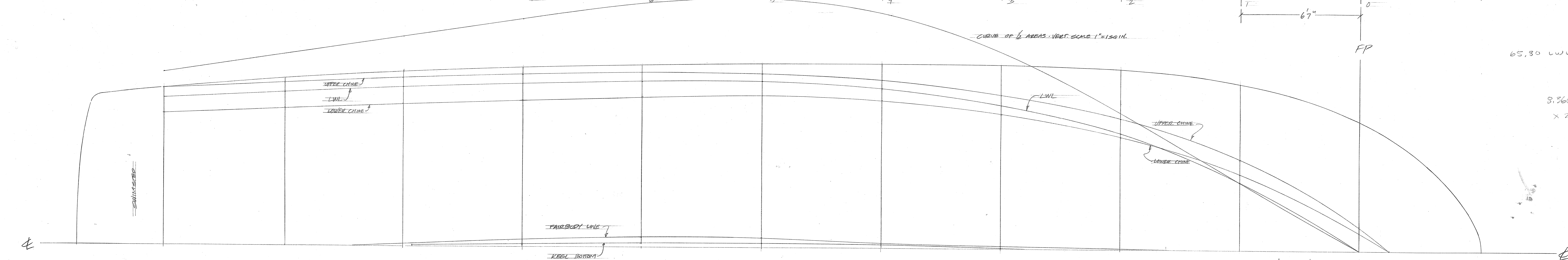
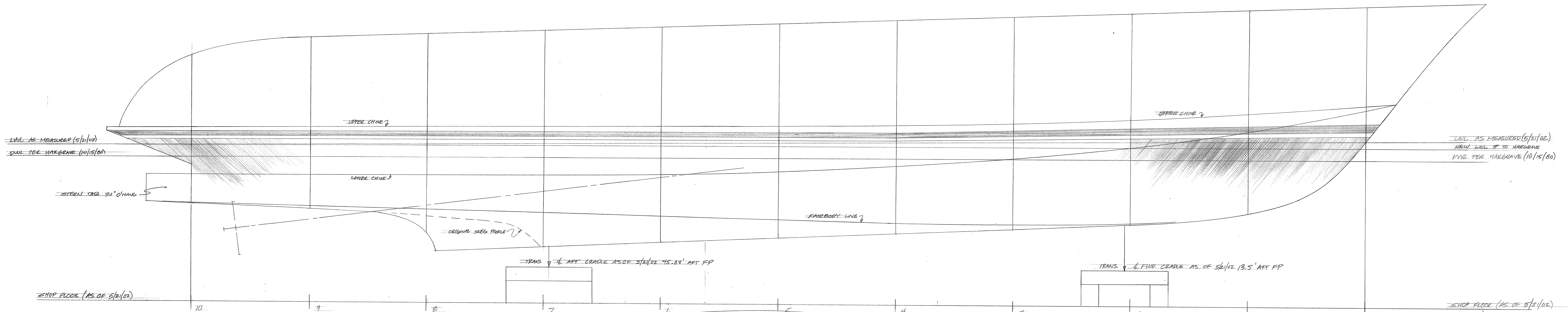
VESSEL PARTICULARS:

LOA (INCL SWIMSTEP)	85.84'
LWL (AS MEASURED 5/2/02)	65.83'
BREADTH	20.25'
BREADTH LWL	19.25'
DRAFT MAX	6.00'
DRAFT (FAIRBODY)	4.28'

HYDROSTATIC SUMMARY

DISPLACEMENT	171,327 LBS
"	76 LIT
"	2677 CUBIC FT
PLC	560
LCB	56
LCF	56
NET	5,246 LBS
MT 1" (SCHEFFERS HORIZONTAL)	18,500 FT-LBS
MT 1" (CALCULATED)	16,976 FT-LBS

- NOTES:
1. HYDROSTATS BASED ON LWL MEASURED 5/2/02
 2. LWL & DWL ARE NOT PARALLEL TO SHOP FLOOR
 3. STATION SPACING BASED ON LWL (NOT DWL) AND DOES NOT CORRESPOND TO HARGRAVE'S DWGS

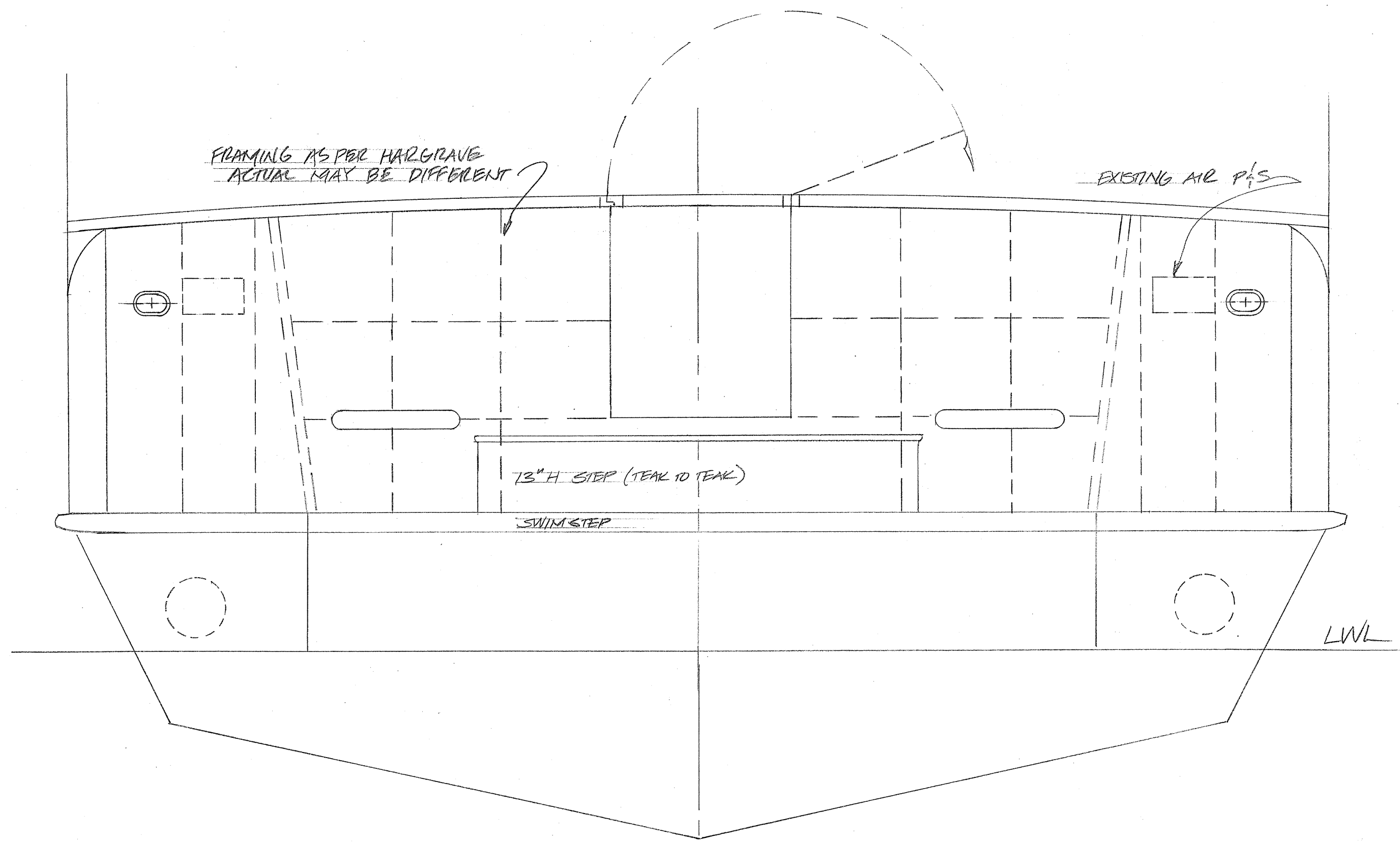


65.80 LWL + 2.5 + TMS
69.3
8.966 VWL
x 2.5 20.9

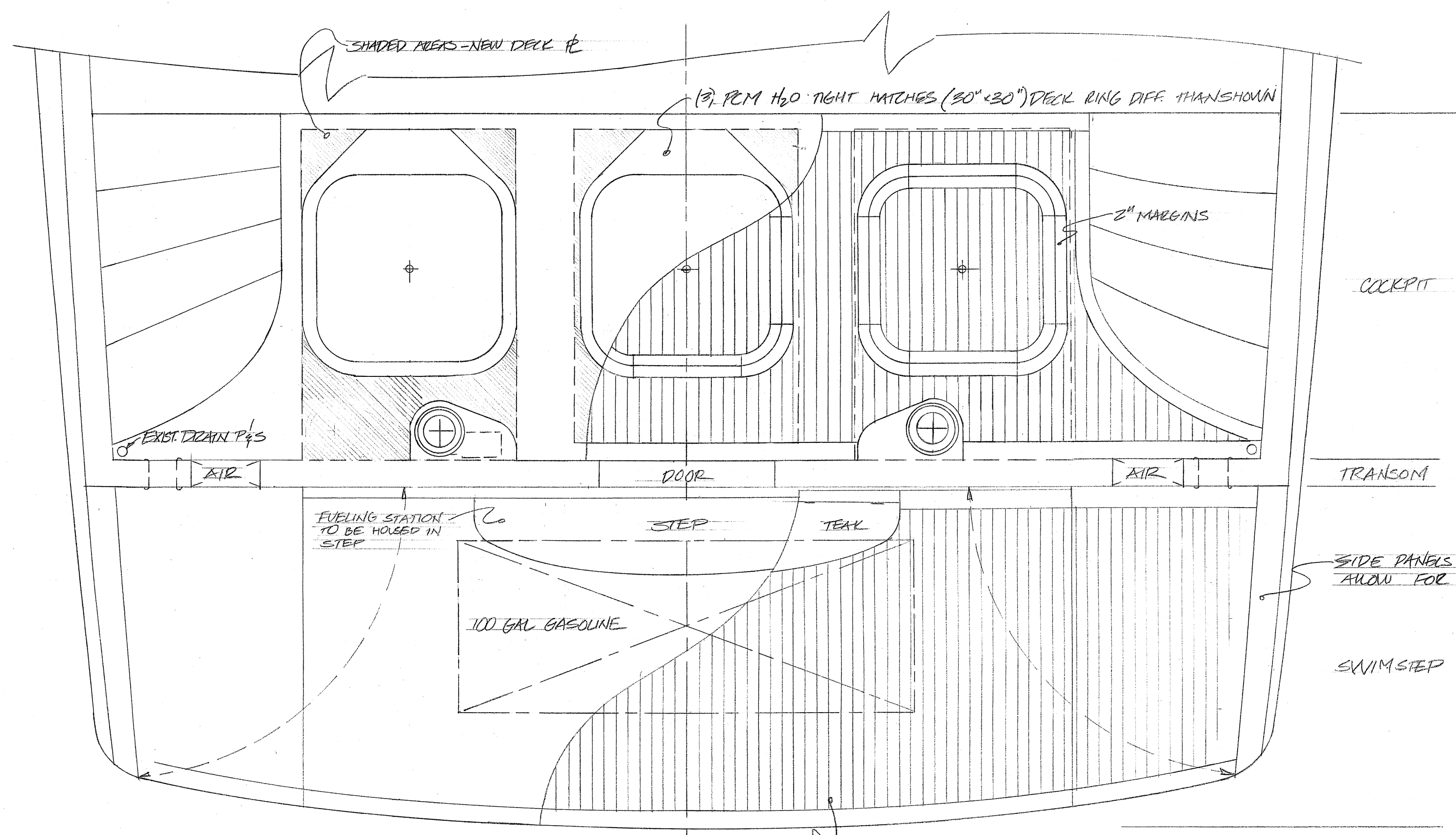
NO.	DATE	DESCRIPTION	BY
6/12/02		ADD NEW LWL	
6/10/02		CORRECT LOCATION AFT CRAND	MS
REVISIONS			

SCAPHA
LINES PLAN
SCALE: 1/8" = 1'0"

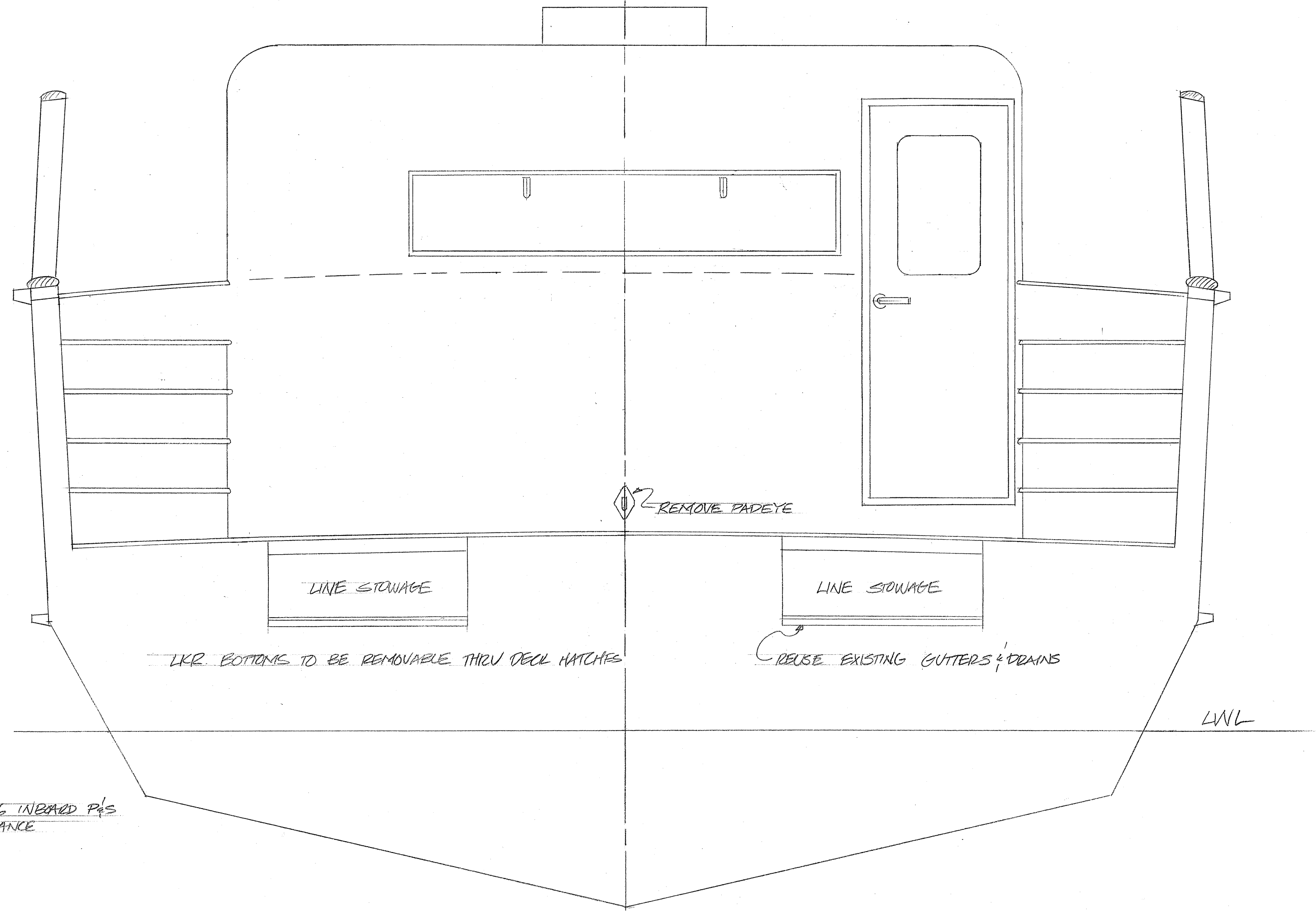
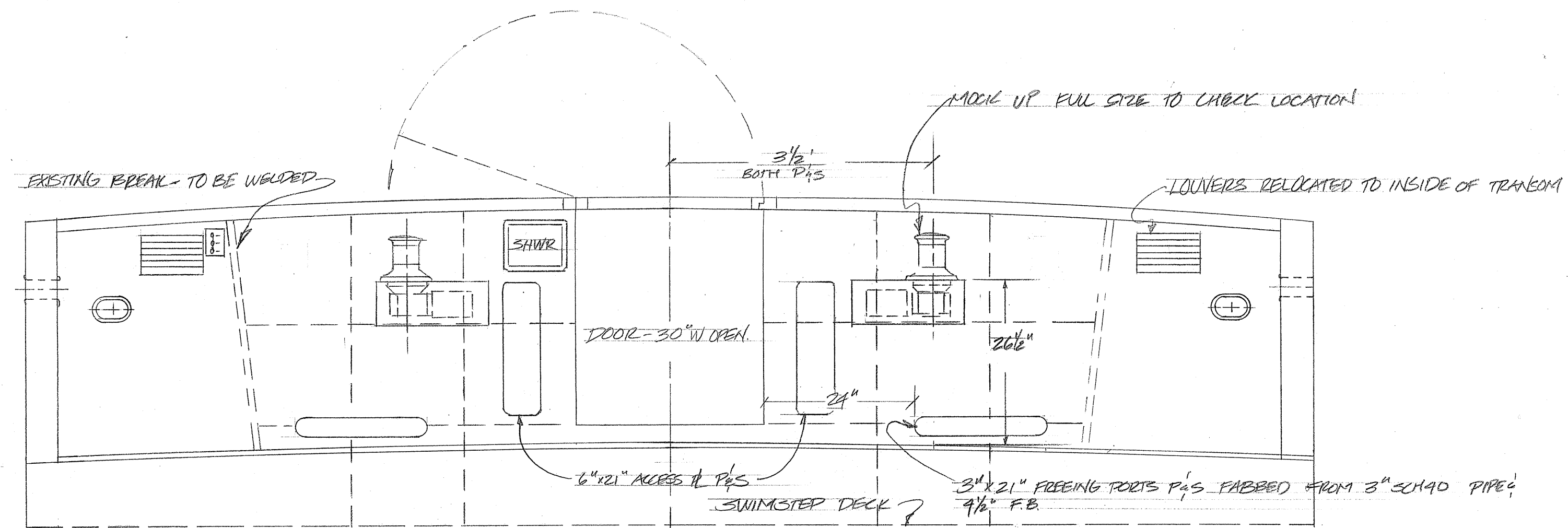
ANTONIO SALGUEIRO 523-02



TRANSOM LOOKING FWD



3/4" x 1 3/4" TEAK OVERLAY BEDDED
IN EPOXY THRU OUT, BLACK TDS INSEAMS

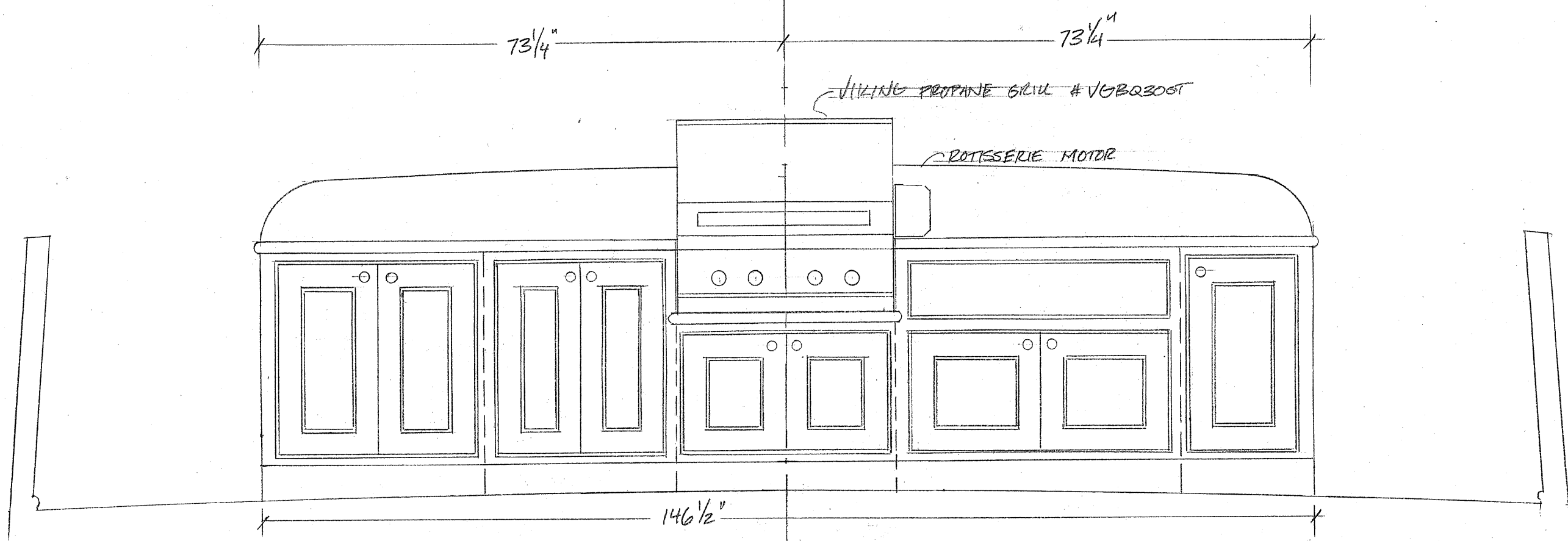


COCKPIT LOOKING FWD

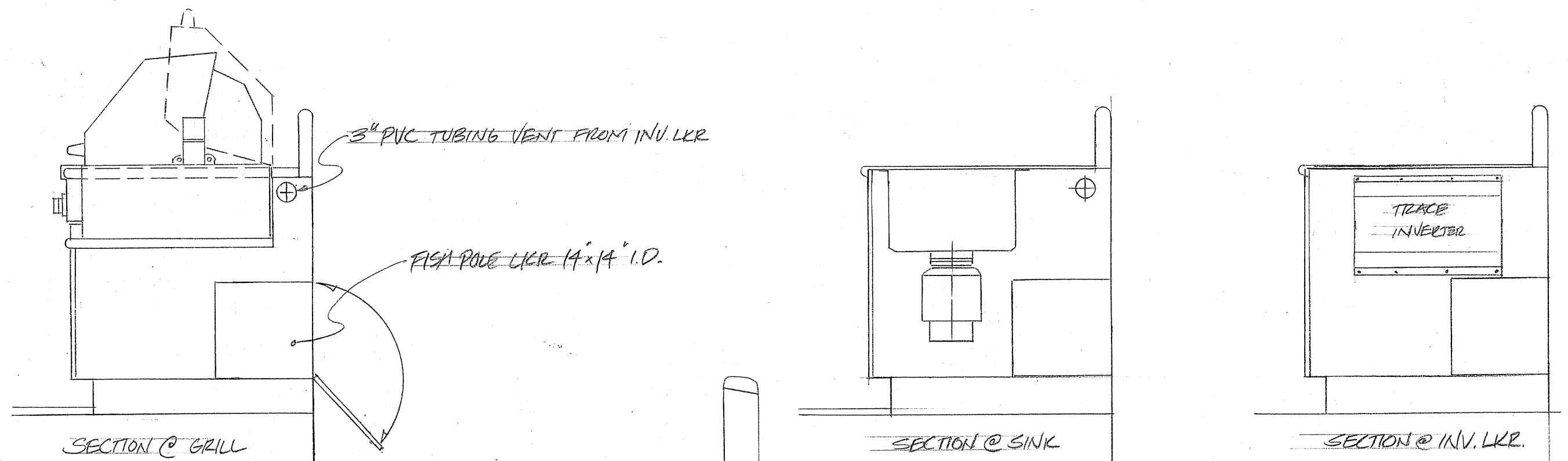
SCAPHA
COCKPIT & SWIMSTEP MODIFICATIONS
SCALE: 3/4" = 1'0"
DWG BY ANTONIO SALGUERO

VESSEL &

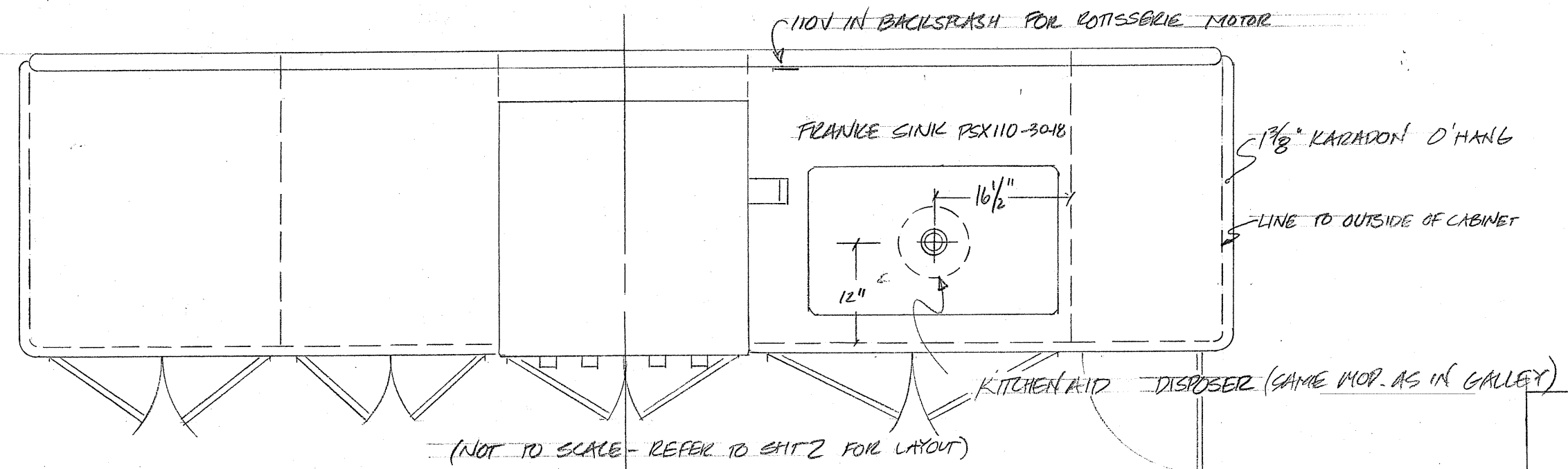
NOTE: THE DISTANCE BETWEEN THE INBOARD FACES (TO THE ALUMINUM) OF THE COCKPIT STANES SHOULD BE 146 1/2"



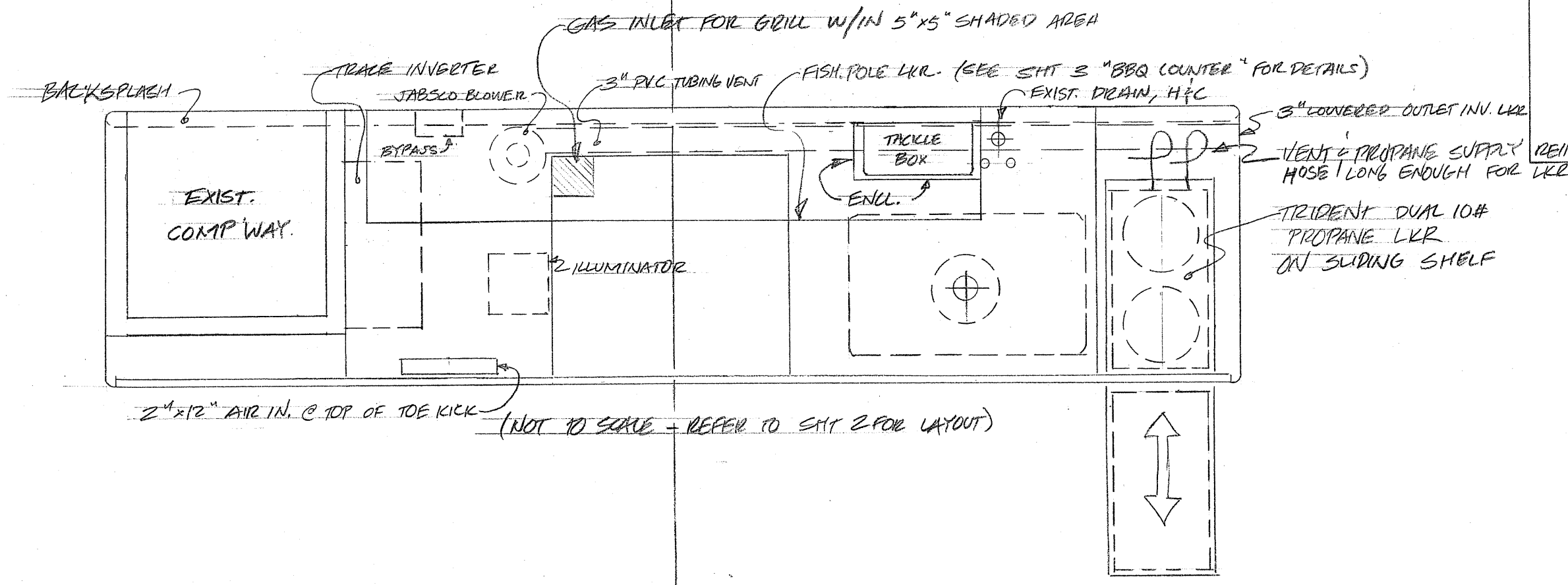
LOOKING AFT
(NOT TO SCALE - REFER TO SHIT 2 FOR LAYOUT)



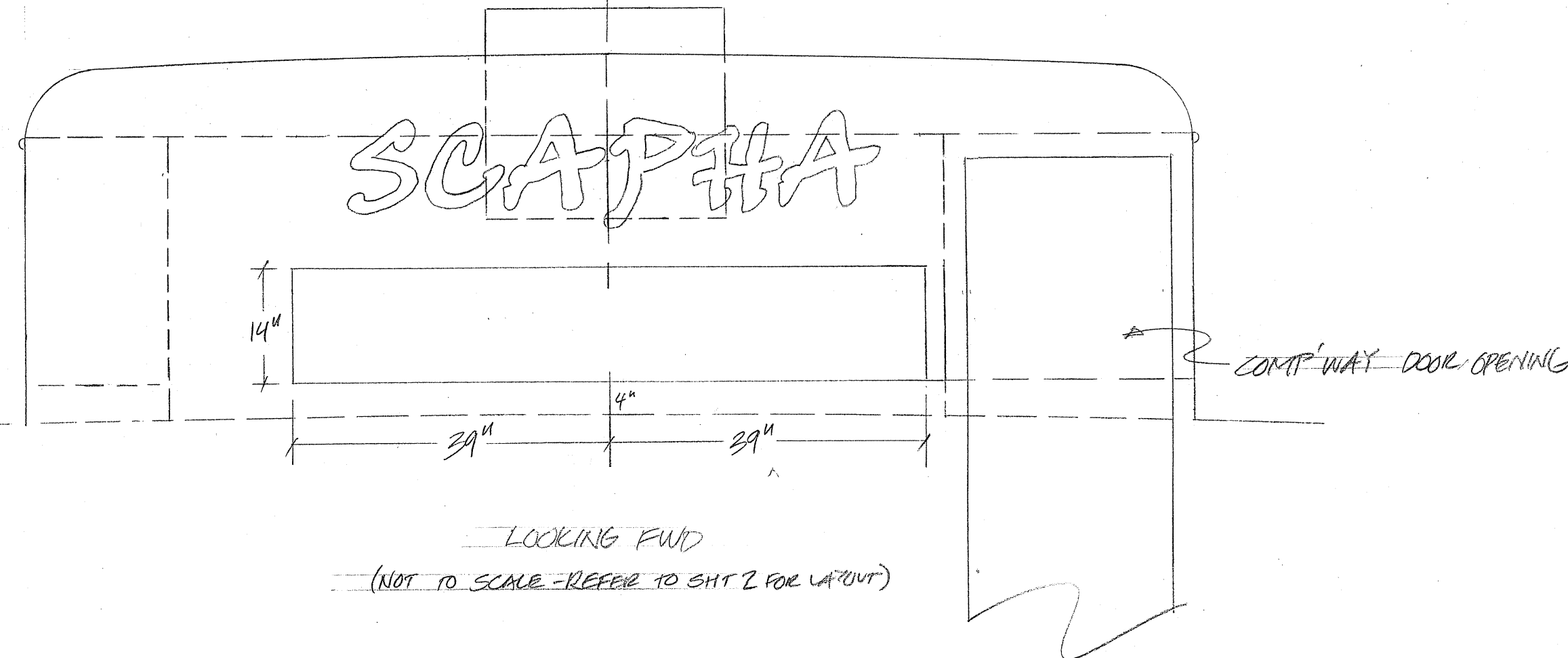
USE SARGATSONE/LAMP
PUSHKNOB LATCHES
(SIM. TO BUFFET
LATCHES)



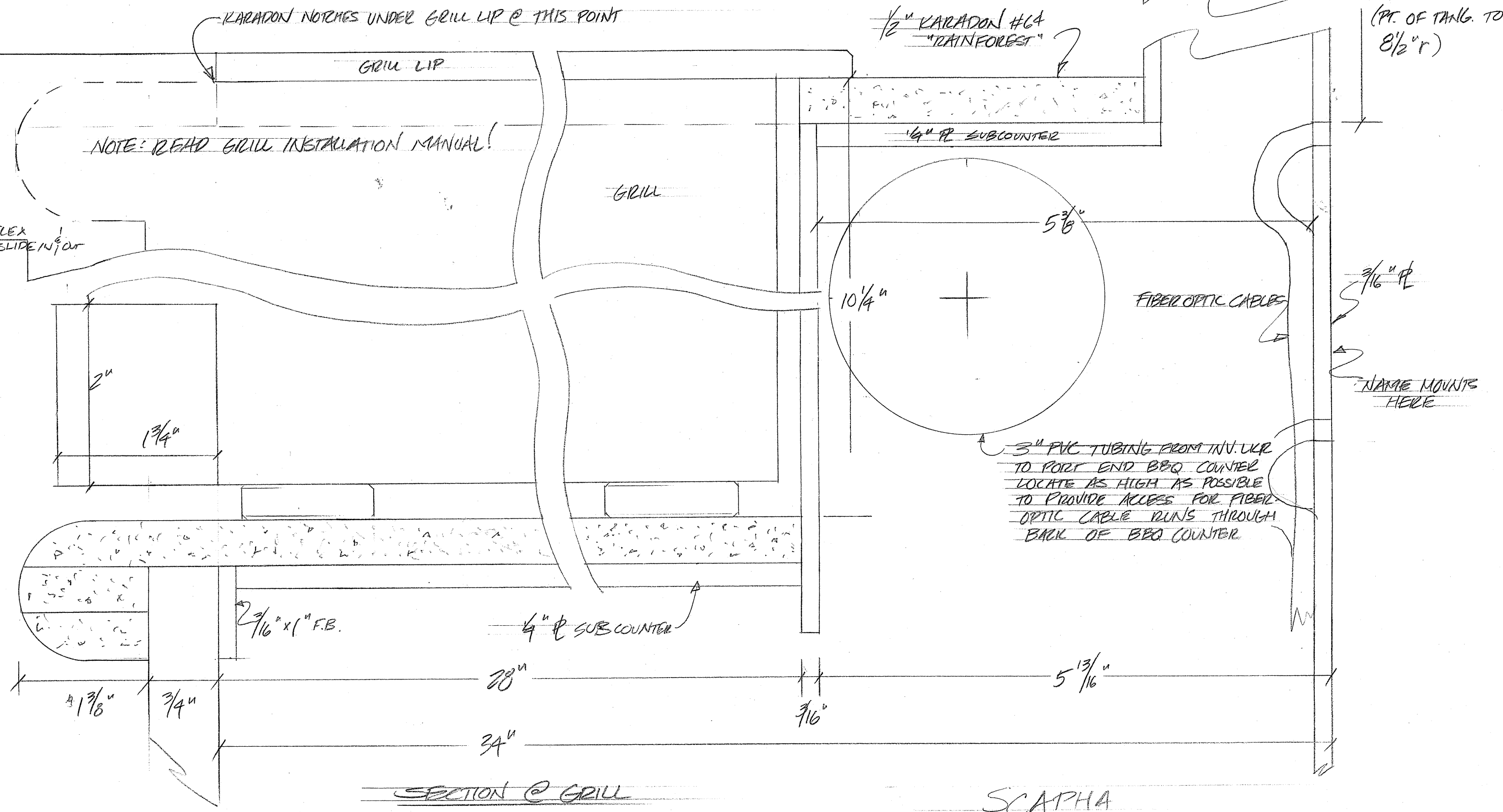
(NOT TO SCALE - REFER TO SHIT 2 FOR LAYOUT)



(NOT TO SCALE - REFER TO SHIT 2 FOR LAYOUT)



LOOKING FWD
(NOT TO SCALE - REFER TO SHIT 2 FOR LAYOUT)



SECTION @ GRILL

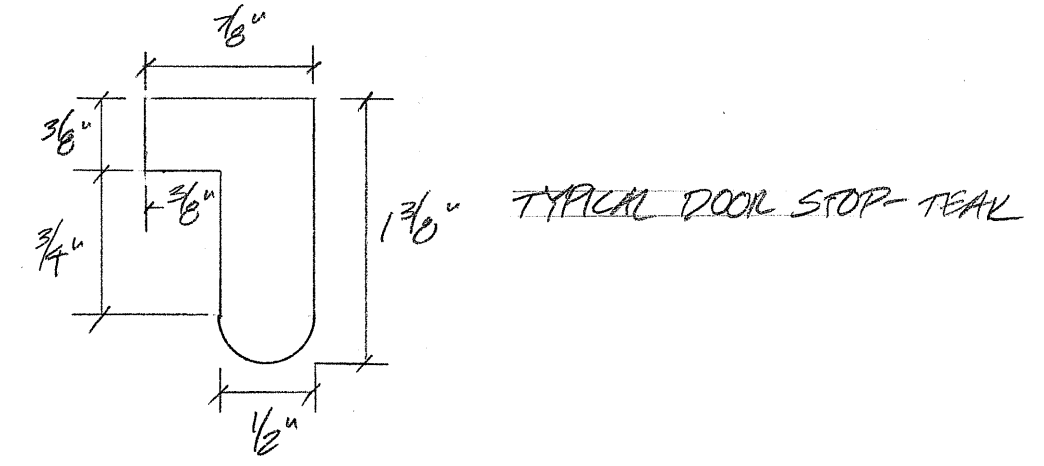
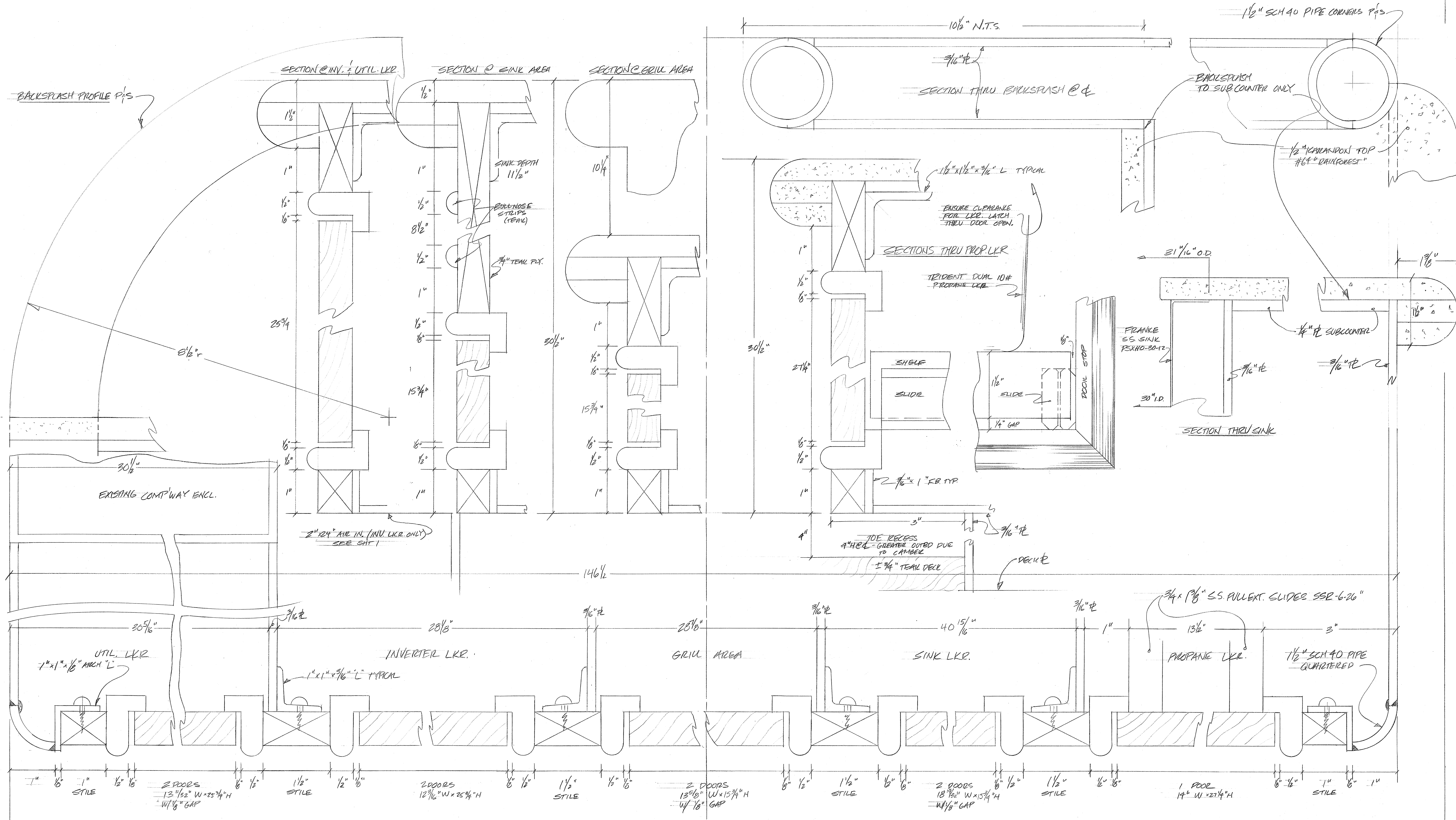
SCAPHA

B.B.Q. COUNTER

SCALE: 3/4\"/>

DWG. BY A. SALGUERO 4-12-02

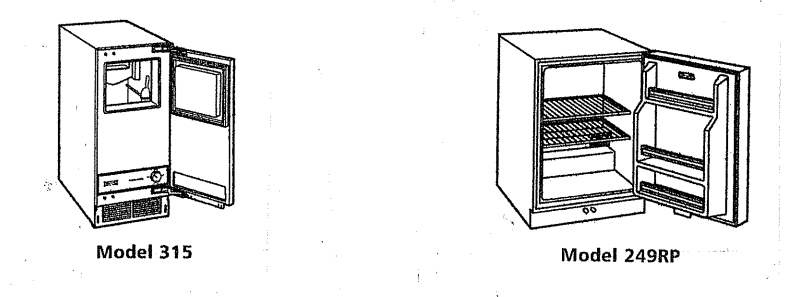
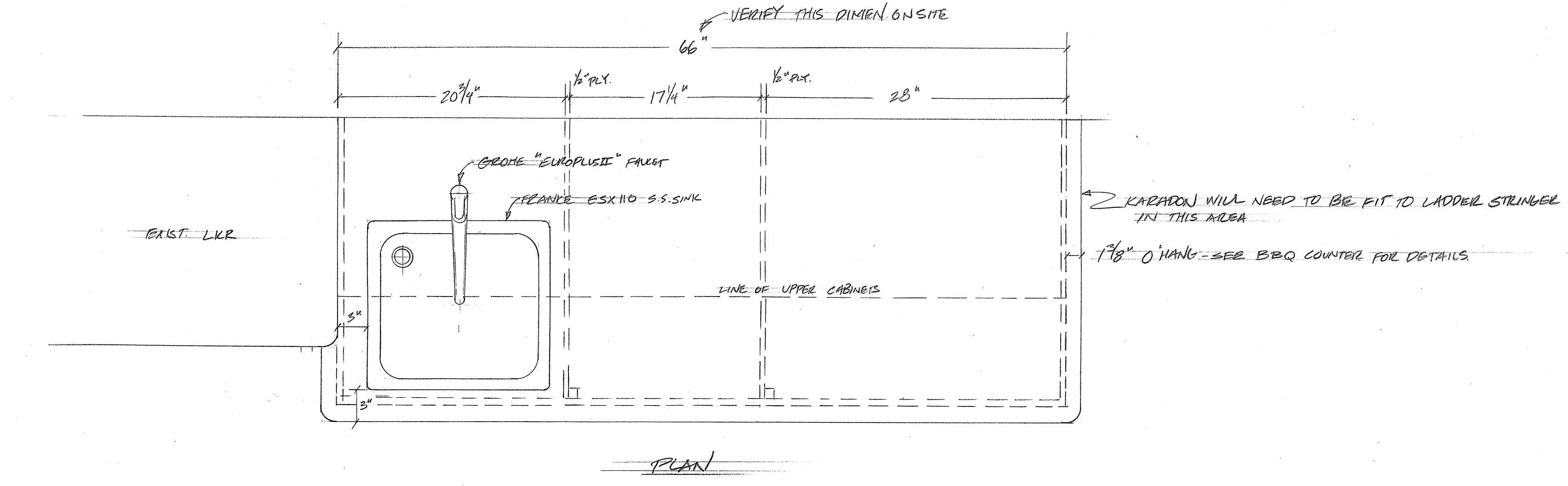
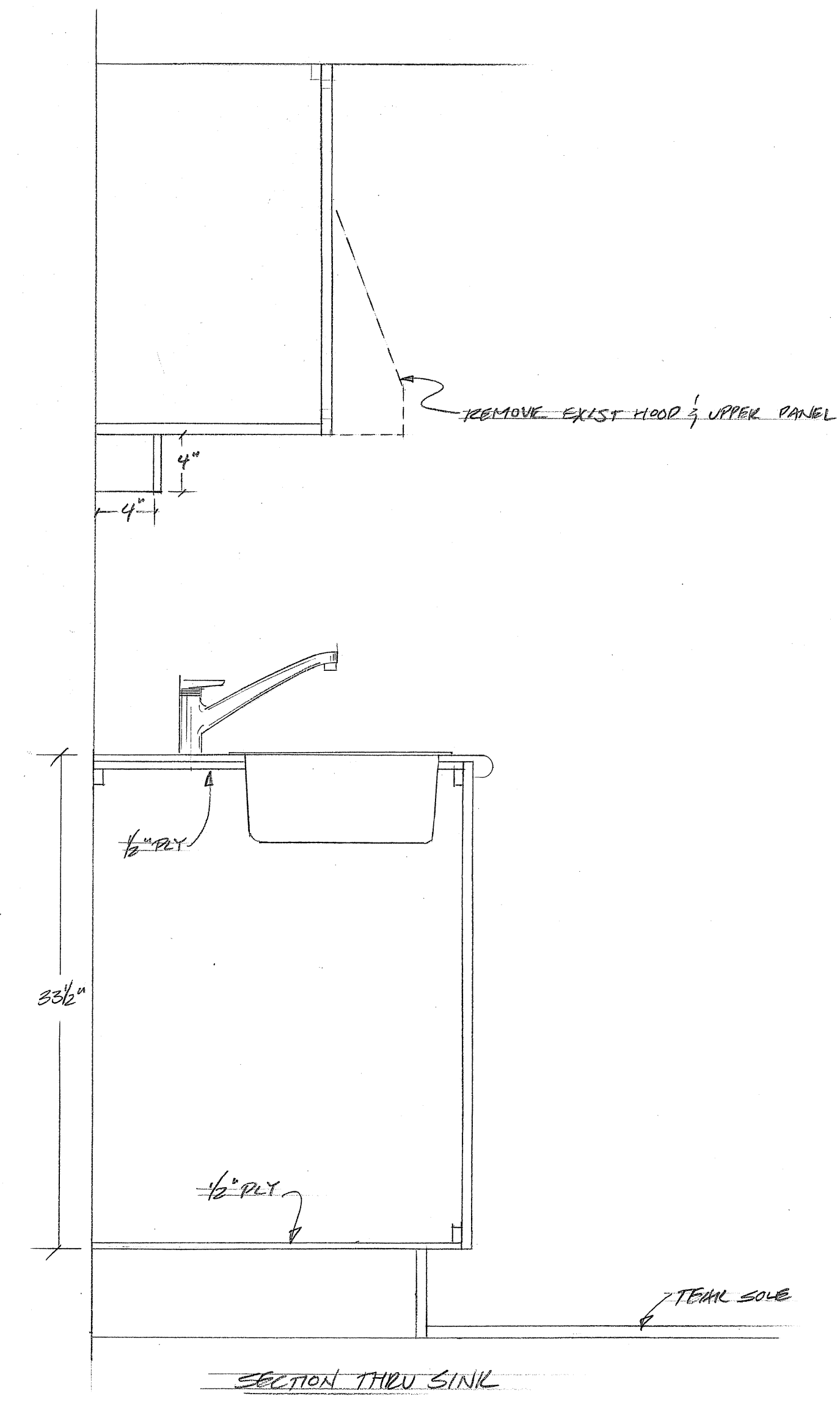
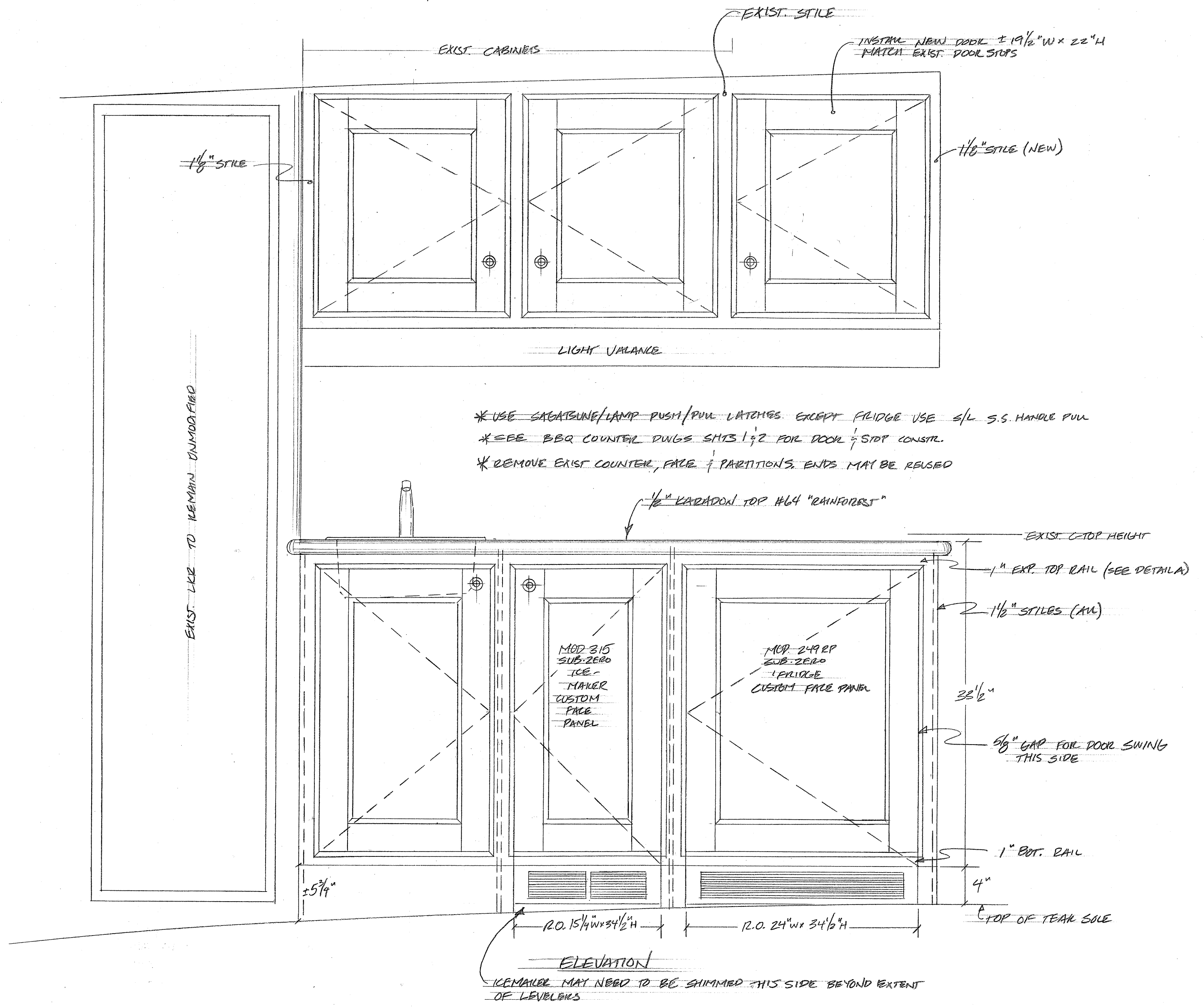
TYPICAL LDR. DOOR - ALL TEAK



VESSEL ϕ
 DOOR & PARTITION LAYOUT - PLAN VIEW

SCAPHA
 B.B.Q. COUNTER
 FULL SCALE
 DWG BY A. SALGUERO 4-22-02

FROM SUB-ZERO DESIGN GUIDE
(READ INSTALLATION GUIDES FOR BOTH UNITS.)



SCAPHA
WET BAR MODIFICATIONS
SCALE: 1 1/2" = 1'0"
DWG BY A. SALGADO 6.7.02

Specifications	Model 245	Model 249R	Model 249RP	Model 249FF/I	Model 315
Refrigerator/Freezer Combination	Refrigerator	Refrigerator	All Refrigerator	All Freezer	Ice Maker
Overall Size (H x W x D)	34" x 23 7/8" x 24"	33 1/2" x 23 7/8" x 24"	33 1/2" x 23 7/8" x 24"	33 1/2" x 23 7/8" x 24"	33 1/2" x 15 1/2" x 19"
Refrigerator Capacity	3 cu. ft.	4.4 cu. ft.	4.9 cu. ft.		
Freezer Capacity	1.9 cu. ft.	.7 cu. ft.		4.6 cu. ft.	
Door Clearance	25 1/8"	25 7/8"	25 7/8"	25 7/8"	15 1/4"
Specify Door Swing (LH or RH)	***	†	†	†	***
Annual Energy Usage	\$38*	\$30*	\$35*	\$41*	
Shipping Weight	139 lbs.	120 lbs.	117 lbs.	135 lbs.	100 lbs.

Interior Features	Model 245	Model 249R	Model 249RP	Model 249FF/I	Model 315
Removable Shelves		2	2	2	
Stationary Shelves	2	1	1	1	
Door Shelves	2	3	3		
Automatic Ice Maker	*			**	*
Automatic Defrost	*			*	*

* Annual energy costs are based on 8.42 cents per kilowatt hour. ** Model 249FFI only. *** Door is reversible in the field.
† Reversible in the field, kit required.

Planning Information

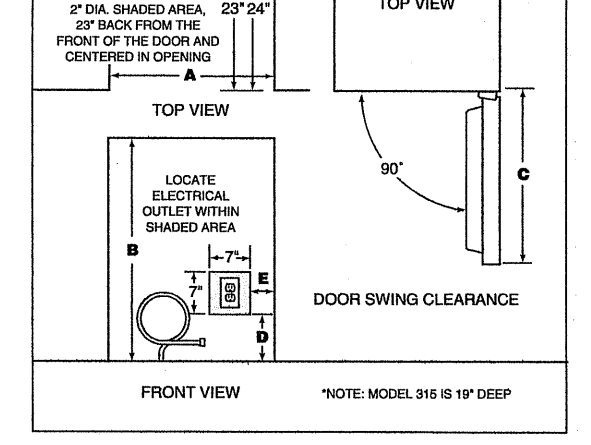
A 115 volt, 60 Hz, 15 amp fused electrical supply is required. It is recommended that a separate circuit, serving only this appliance, be provided. All Sub-Zero 200 Series units are equipped with a power supply cord with a 3-prong grounding plug and it must be plugged into a mating 3-prong grounding type wall receptacle. Follow the National Electrical Code and local codes and ordinances when installing the receptacle. Refer to illustration 1, for exact specifications.

Electrical

For Models 245 and 315, rough in the water supply line. Connect a 1/4-inch OD copper line to the house supply, being sure to use an easily accessible shut off valve between the supply and the refrigerator. Do not use "self-piercing" valves. A saddle valve kit (part #4-20-088-0) is available from your distributor/dealer. A line filter is required when water conditions have a high sediment content. The ice maker operates on water pressure of 20 to 100 psi. In some cases a reverse osmosis water filter system may not be able to maintain the minimum pressure.

Plumbing

Pre-Installation Specifications



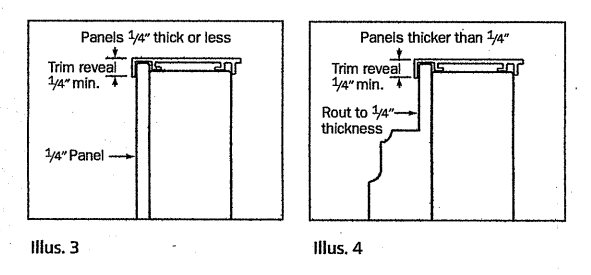
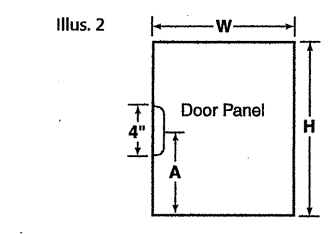
Model	245	249R	249RP	249FF	249FFI	315
Finished Rough Opening (A)	24"	24"	24"	24"	24"	15 1/4"
Finished Rough Opening (B)	34 1/2"	34 1/2"	34 1/2"	34 1/2"	34 1/2"	34 1/2"
Minimum Door Clearance at 90° (C)	25 1/8"	25 7/8"	25 7/8"	25 7/8"	25 7/8"	15 1/4"
Minimum Height Required (D)	34 1/4"	34 1/4"	34 1/4"	34 1/4"	34 1/4"	33 3/4"
Recommended Electrical Outlet Location (E)	1"	10 1/2"	10 1/2"	10 1/2"	10 1/2"	10 1/2"
Recommended Electrical Outlet Location (E)	2"	8 1/2"	8 1/2"	2 1/2"	2 1/2"	2 1/2"
Water Supply Location (F)	12"	N/A	N/A	N/A	N/A	18"

Integrating Cabinetry

The Door Panel Specifications chart and illustration 2 provide necessary door panel sizing information.

Door Panels - Models 245, 249R, 249RP and 249FFI

Door panels must be 1/4-inch thick around the perimeter. If the panel is thicker than 1/4-inch, an edge must be routed around the panel to ensure a proper fit. Model 245 is the exception. While the edge must be 1/4-inch thick, you must allow 3/8-inch around the perimeter for the frame. See illustrations 3 and 4. The maximum door panel weight is 20 pounds.



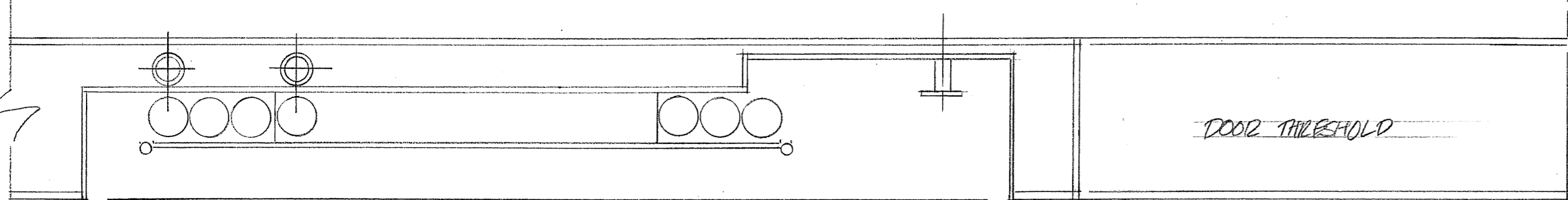
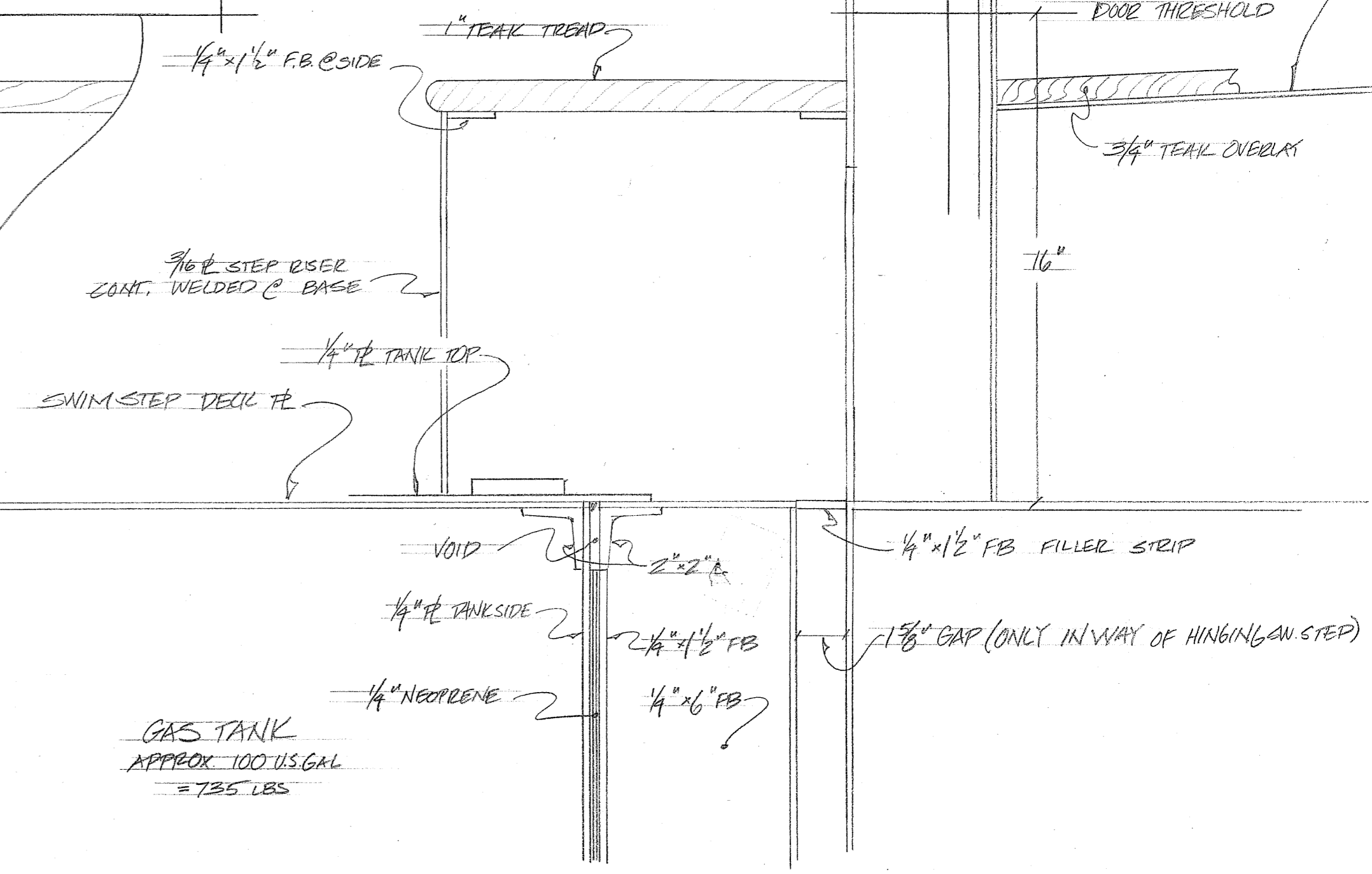
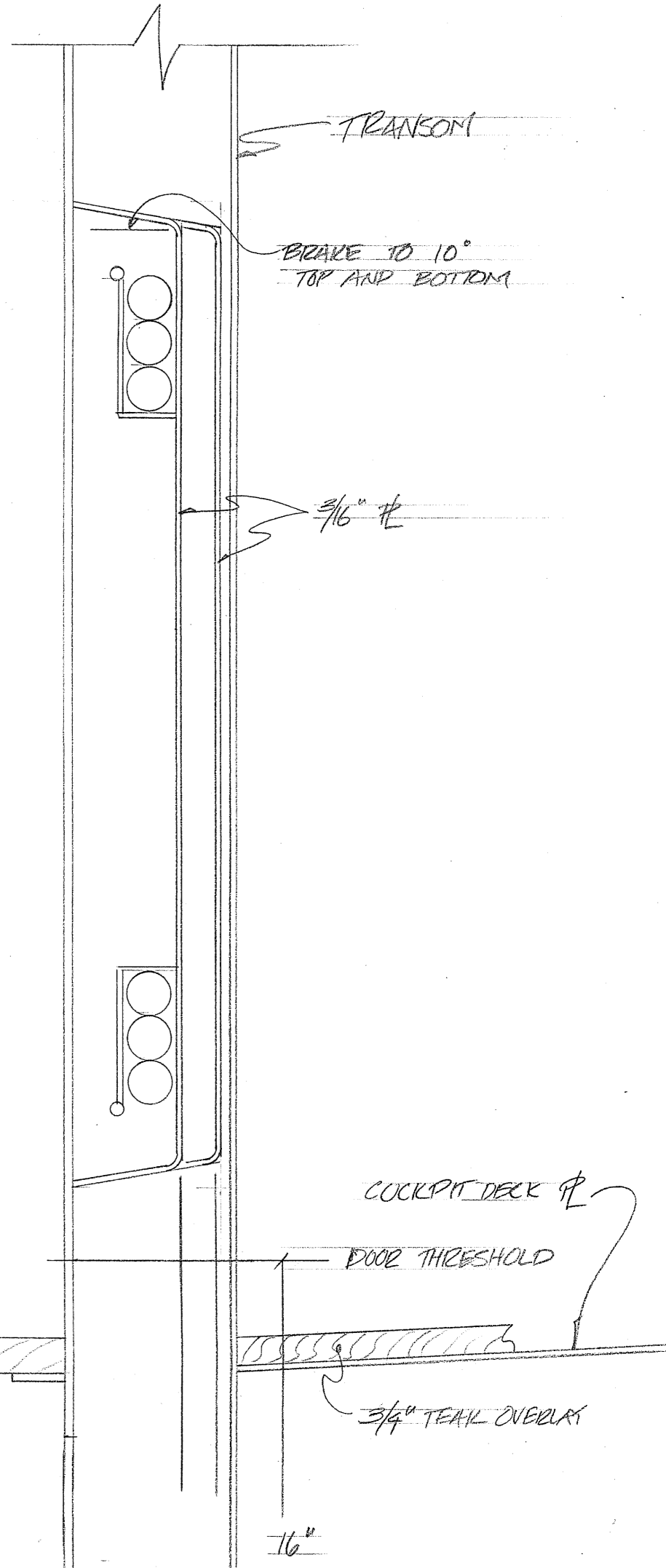
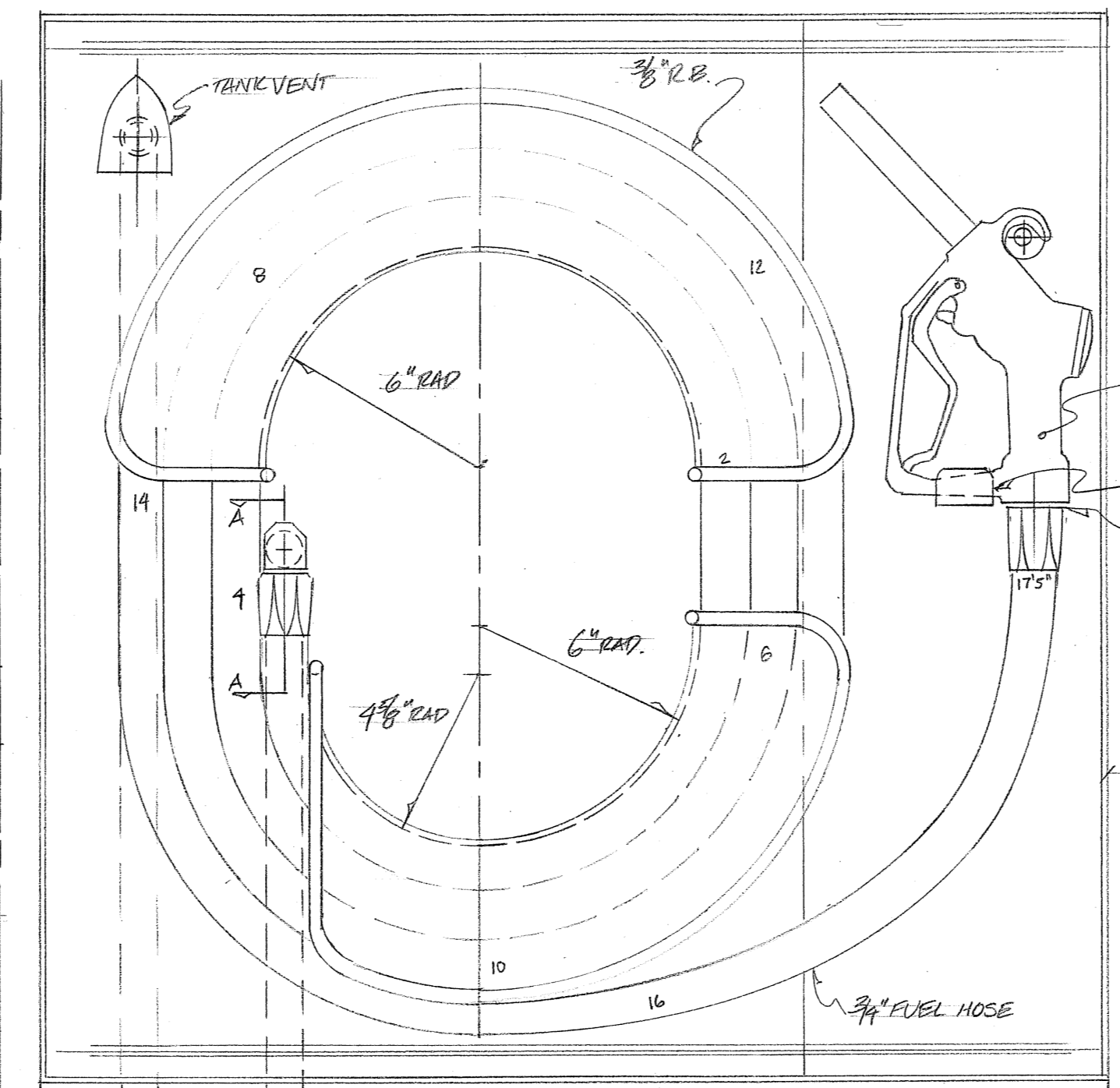
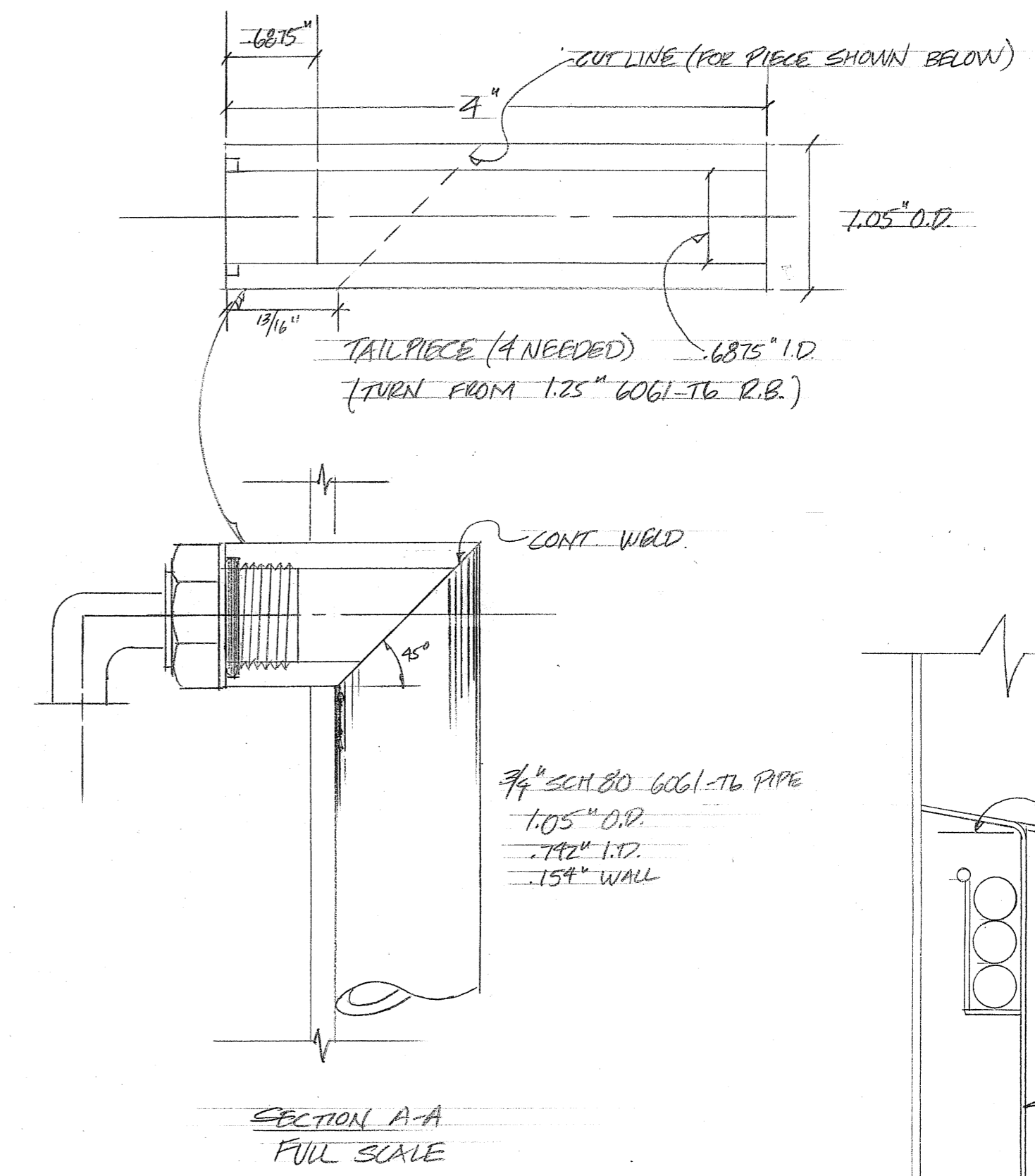
Door Panel Specifications

Model	245	249R	249RP	249FF	249FFI	315*
(W) Door Panel	23 1/2"	23 1/2"	23 1/2"	23 1/2"	23 1/2"	15"
(H) Door Panel	28 1/8"	30"	30"	30"	30"	30 1/8"
(A) Handle Recess Location	**	15"	15"	15"	15"	**

* Model 315 door panel 5/8" thick maximum. ** Models 245 and 315 require no handle recess.

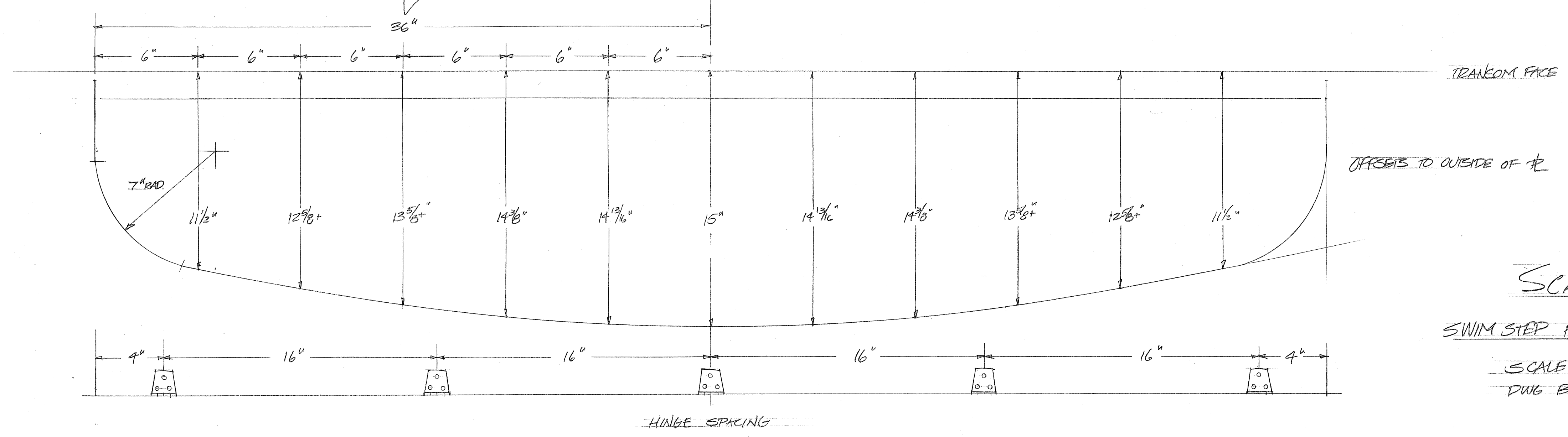
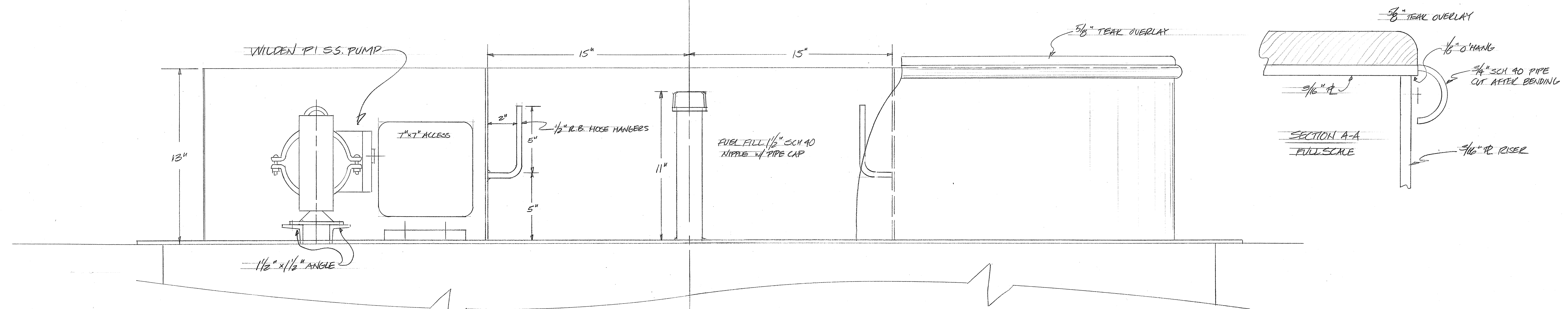
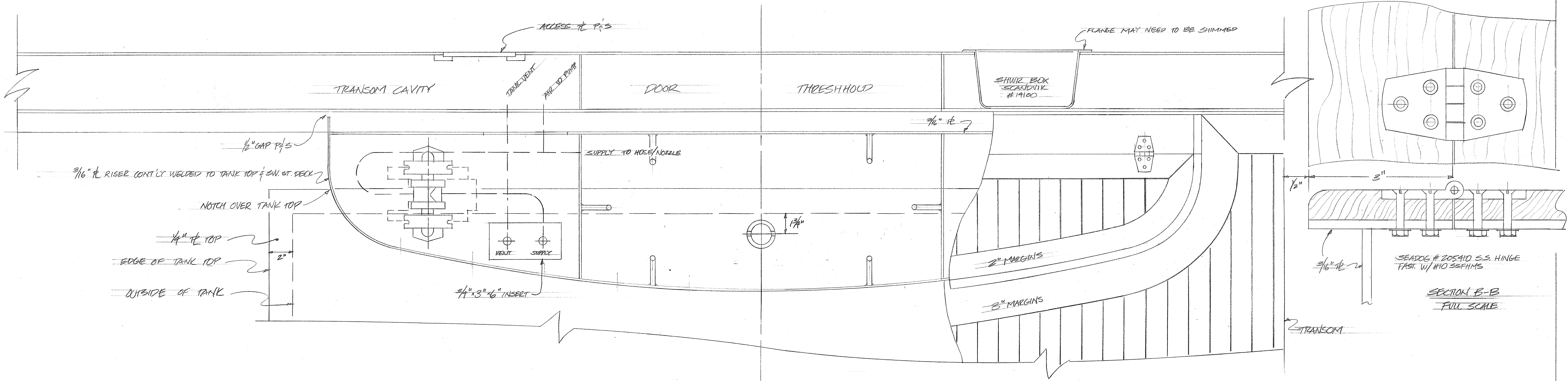
Door Panel - Model 315

It is important to understand the differences in mounting any wood panels to the Model 315. The panels must be 5/8-inch thick. You should refer to the illustrations in the Model 315 Installation Instructions to understand how the panel is installed. The maximum door panel weight is 15 pounds.



SCAPHA
 SWIM STEP FUELING STATION
 ANTONIO SALGUERO 2.28.02
 SCALE: 3" = 1'0" (ACCEPT AS NOTED)

GAS TANK
 APPROX 100 US GAL
 = 725 LBS



SCAPHA
 SWIM STEP FUELING STATION
 SCALE: 3" = 1'0"
 DWG BY A. SALGUERO